

DIMENSION AND APPROX. WEIGHT DATA

| CODE | A   | B   | C   | D<br>REF | E<br>REF | APPROX. WEIGHT<br>(LBS/100) |
|------|-----|-----|-----|----------|----------|-----------------------------|
| 3    | .44 | .32 | .19 | .195     | .070     | .09                         |

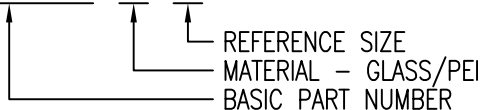
MATERIAL AND FINISH DATA

| CODE | MATERIAL  | FINISH         |
|------|---|----------------|
| V    | 40% GLASS REINFORCED POLYETHERIMIDE (ULTEM 2400 OR EQUAL)                         | ABRASIVE CLEAN |
| VC   | 20% CARBON REINFORCED POLYETHERIMIDE (ULTEM 7201, RTP 2183LF, RTP 2199, OR EQUAL) | ABRASIVE CLEAN |
| VCE  | 20% CARBON REINFORCED POLYETHERIMIDE (RTP 2199 X 126083)                          | ABRASIVE CLEAN |

- NOTES: 1. CB9302 CABLE TIE MOUNT FOR USE WITH INTERMEDIATE OR STANDARD CABLE TIES  
2. APPROX. WEIGHT DOES NOT INCLUDE WEIGHT OF DISPOSABLE INSTALLATION FIXTURE

EXAMPLE PART NUMBER

CB9302 V 3



UNLESS OTHERWISE SPECIFIED, ALL DIMENSIONS ARE IN INCHES AND TOLERANCES ARE AS SHOWN BELOW. DIMENSIONAL TOLERANCES AND SYMBOLS PER ANSI Y14.5M-1982.

PROPRIETARY PARTS SHOWN IN THIS DRAWING ARE THE SUBJECT OF ISSUED UNITED STATES AND FOREIGN PATENTS AND PATENTS PENDING. UNAUTHORIZED REPRODUCTION AND/OR DISTRIBUTION OF THIS DRAWING IS SPECIFICALLY PROHIBITED.

**CLICK BOND**

CARSON CITY  
NEVADA 89706

CAD CB9302-1

APPROVALS

DATE

TITLE

ANGLES ±1°

DRAWN *DAC*

9NOV12

CABLE TIE ANCHOR MOUNT, SIZE 3

.XX ±.03

CHECKED *DAC*

9NOV12

SIZE

CAGE CODE

DWG. NO.

REV.

.XXX ±.010

RELEASED *DAC*

9NOV12

A

66530

CB9302

5

.XXXX ±.001

REVISED *DAC*

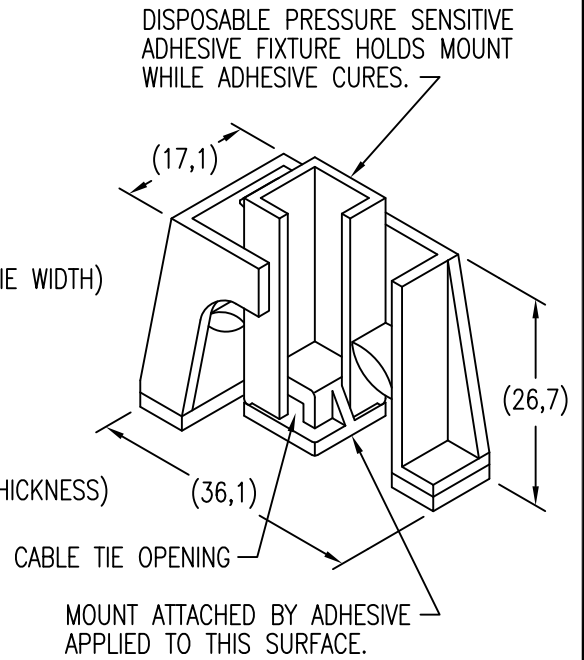
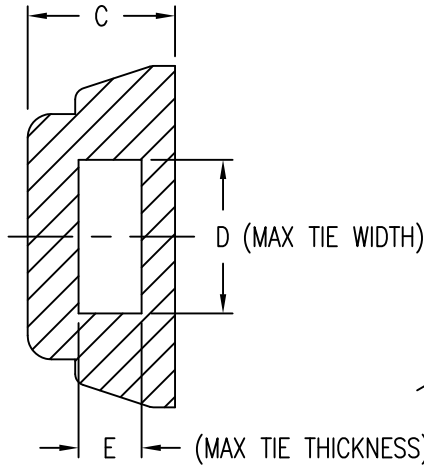
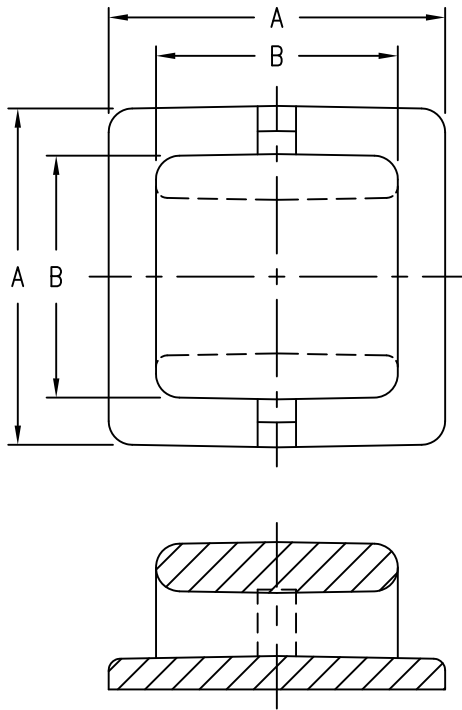
9NOV12

SCALE

4/1

9NOV12

SHEET 1 OF 2



DIMENSION AND APPROX. WEIGHT DATA

| CODE | A    | B   | C   | D<br>REF | E<br>REF | APPROX. WEIGHT<br>(GRAMS) |
|------|------|-----|-----|----------|----------|---------------------------|
| 3    | 11,2 | 8,0 | 4,9 | 4,9      | 1,8      | 0,4                       |

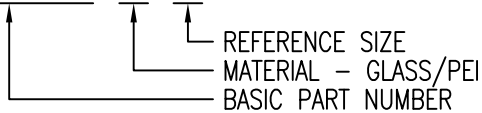
MATERIAL AND FINISH DATA

| CODE | MATERIAL  | FINISH         |
|------|---|----------------|
| V    | 40% GLASS REINFORCED POLYETHERIMIDE (ULTEM 2400 OR EQUAL)                         | ABRASIVE CLEAN |
| VC   | 20% CARBON REINFORCED POLYETHERIMIDE (ULTEM 7201, RTP 2183LF, RTP 2199, OR EQUAL) | ABRASIVE CLEAN |
| VCE  | 20% CARBON REINFORCED POLYETHERIMIDE (RTP 2199 X 126083)                          | ABRASIVE CLEAN |

- NOTES: 1. CB9302 CABLE TIE MOUNT FOR USE WITH INTERMEDIATE OR STANDARD CABLE TIES  
2. APPROX. WEIGHT DOES NOT INCLUDE WEIGHT OF DISPOSABLE INSTALLATION FIXTURE

EXAMPLE PART NUMBER

CB9302 V 3



UNLESS OTHERWISE SPECIFIED, ALL DIMENSIONS ARE IN MILLIMETERS AND TOLERANCES ARE AS SHOWN BELOW. DIMENSIONAL TOLERANCES AND SYMBOLS PER ANSI Y14.5M-1982.

PROPRIETARY PARTS SHOWN IN THIS DRAWING ARE THE SUBJECT OF ISSUED UNITED STATES AND FOREIGN PATENTS AND PATENTS PENDING. UNAUTHORIZED REPRODUCTION AND/OR DISTRIBUTION OF THIS DRAWING IS SPECIFICALLY PROHIBITED.

**CLICK BOND**

CARSON CITY  
NEVADA 89706

|                                   |       |
|-----------------------------------|-------|
| CAD CB9302-2<br>METRIC DIMENSIONS |       |
| ANGLES                            | ±1°   |
| .X                                | ±0,8  |
| .XX                               | ±0,25 |

| APPROVALS           | DATE   |
|---------------------|--------|
| DRAWN <i>DAC</i>    | 9NOV12 |
| CHECKED <i>DAC</i>  | 9NOV12 |
| RELEASED <i>DAC</i> | 9NOV12 |
| REVISED <i>DAC</i>  | 9NOV12 |

|   |                    |                             |           |
|---|--------------------|-----------------------------|-----------|
| TITLE<br>CABLE TIE ANCHOR MOUNT, SIZE 3 |                    |                             |           |
| SIZE<br>A                               | CAGE CODE<br>66530 | DWG. NO.<br>CB9302 (METRIC) | REV.<br>5 |
| SCALE<br>4/1                            | 9NOV12             | SHEET 2 OF 2                |           |