

NUTPLATE MEETS THE STRENGTH AND REUSABILITY REQUIREMENTS OF NASM25027.

NUT MATERIAL AND FINISH DATA

CODE	MATERIAL	SPEC.	FINISH	SPEC.	DRI-FILM LUBE
CR	A-286 CRES	AMS 5525, 5726, 5731, 5732, 5737	PASSIVATE	AMS 2700	AS5272 TYPE 1
CRC	A-286 CRES	AMS 5525, 5726, 5731, 5732, 5737	CAD PLATE	AMS-QQ-P-416 TY II, CL 2	AS5272 TYPE 1

WASHER MATERIAL AND FINISH DATA

CODE	MATERIAL	SPEC.	FINISH	SPEC.
CR	A-286 CRES	AMS 5525, 5726, 5731, 5732, 5737	PASSIVATE	AMS 2700
ACR	2024 OR 6061 ALUMINUM	AMS-QQ-A-200 OR AMS-QQ-A-225	ANODIZE	MIL-A-8625

DOME MATERIAL AND FINISH DATA

CODE	MATERIAL	SPEC.	PASSIVATE
CR	A-286 CRES	AMS 5525, 5726, 5731, 5732, 5737	AMS 2700
ACR			

OPTIONAL PRIMER

CODE	MATERIAL	SPEC.
P	MIL-PRF	-85582

OPTIONAL TOPCOAT

CODE	MATERIAL	SPEC.
F	AMS-C-27725	TY 2 CL B YELLOW

THREAD AND DIMENSION DATA (ALL DIMENSIONS BEFORE PAINT)

CODE	THREAD SIZE	D MIN	U	COLOR CODE	WEIGHT * (LB/100)
04	.1120-40 UNJC-3B	.142	.112-.142	YELLOW	.68
06	.1380-32 UNJC-3B	.168	.138-.168	BLUE	.64
08	.1640-32 UNJC-3B	.194	.164-.194	RED	.62

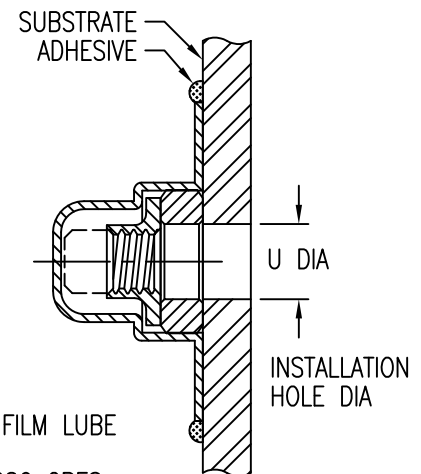
\* APPROXIMATE WEIGHT WITHOUT DISPOSABLE INSTALLATION FIXTURE.

NOTE: "NL" PART NUMBER SUFFIX INDICATES NON-LOCKING NUT ELEMENT.

EXAMPLE PART NUMBER

CB9121 CR 08 CR P F

OPTIONAL TOPCOAT ON DOME  
 OPTIONAL PRIMER ON BASEPLATE  
 NUT MATERIAL - A-286 CRES, DRI-FILM LUBE  
 THREAD SIZE - .164-32 UNJC-3B  
 DOME AND WASHER MATERIAL - A-286 CRES  
 BASIC PART NUMBER



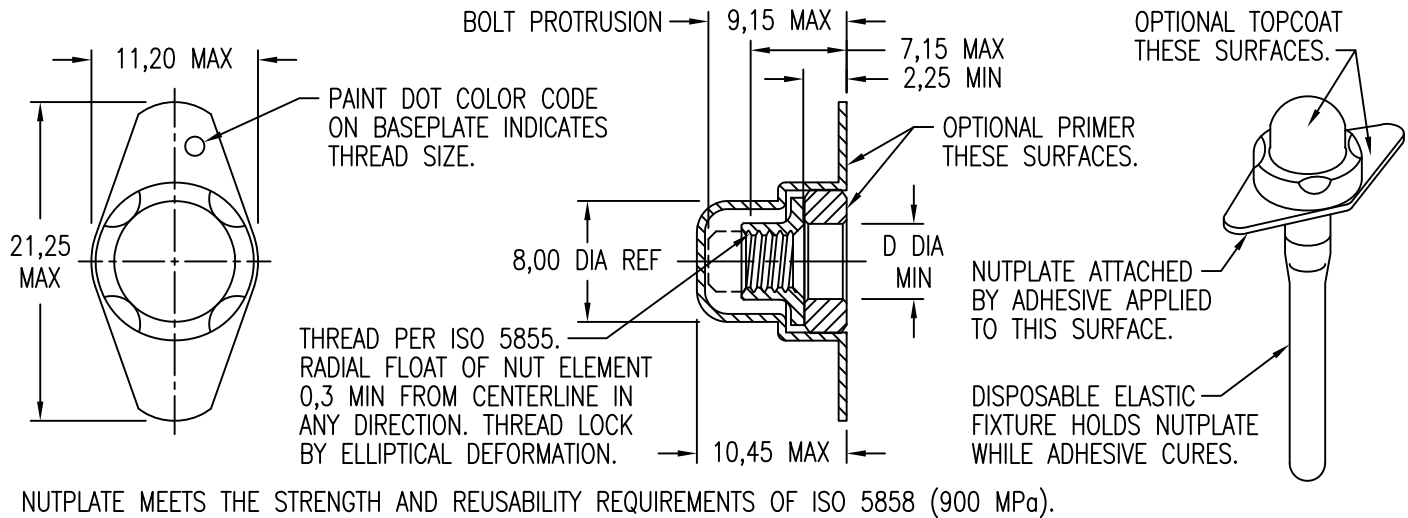
UNLESS OTHERWISE SPECIFIED, ALL DIMENSIONS ARE IN INCHES AND TOLERANCES ARE AS SHOWN BELOW. DIMENSIONAL TOLERANCES AND SYMBOLS PER ANSI Y14.5M-1982.

PROPRIETARY PARTS SHOWN IN THIS DRAWING ARE THE SUBJECT OF ISSUED UNITED STATES AND FOREIGN PATENTS AND PATENTS PENDING. UNAUTHORIZED REPRODUCTION AND/OR DISTRIBUTION OF THIS DRAWING IS SPECIFICALLY PROHIBITED.

**CLICK BOND**

CARSON CITY  
NEVADA 89706

CAD CB9121-1		APPROVALS	DATE	TITLE			
ANGLES	±1°	DRAWN	28SEP10	NUTPLATE, MINIATURE, FLOATING, SEALED, TWO LUG			
.XX	±.03	CHECKED	28SEP10	SIZE	CAGE CODE	DWG. NO.	REV.
.XXX	±.010	RELEASED	28SEP10	A	66530	CB9121	3
.XXXX	±.001	REVISED	28SEP10	SCALE	2/1	28SEP10	SHEET 1 OF 2



NUTPLATE MEETS THE STRENGTH AND REUSABILITY REQUIREMENTS OF ISO 5858 (900 MPa).

NUT MATERIAL AND FINISH DATA

CODE	MATERIAL	SPEC.	FINISH	SPEC.	DRI-FILM LUBE
CR	A-286 CRES	AMS 5525, 5726, 5731, 5732, 5737	PASSIVATE	AMS 2700	AS5272 TYPE 1
CRC	A-286 CRES	AMS 5525, 5726, 5731, 5732, 5737	CAD PLATE	AMS-QQ-P-416 TY II, CL 2	AS5272 TYPE 1

WASHER MATERIAL AND FINISH DATA

CODE	MATERIAL	SPEC.	FINISH	SPEC.
CR	A-286 CRES	AMS 5525, 5726, 5731, 5732, 5737	PASSIVATE	AMS 2700
ACR	2024 OR 6061 ALUMINUM	AMS-QQ-A-200 OR AMS-QQ-A-225	ANODIZE	MIL-A-8625

DOME MATERIAL AND FINISH DATA

CODE	MATERIAL	SPEC.	PASSIVATE
CR	A-286 CRES	AMS 5525, 5726, 5731, 5732, 5737	AMS 2700
ACR			

OPTIONAL PRIMER

CODE	MATERIAL	SPEC.
P	MIL-PRF-85582	

OPTIONAL TOPCOAT

CODE	MATERIAL	SPEC.
F	AMS-C-27725 TY 2 CL B YELLOW	

THREAD AND DIMENSION DATA (ALL DIMENSIONS BEFORE PAINT)

CODE	THREAD SIZE	D MIN	U	COLOR CODE	WEIGHT * (GRAMS)
3M	MJ3 X 0,5 4H6H	3,6	3,0-3,6	GOLD	.68
4M	MJ4 X 0,7 4H6H	4,6	4,0-4,6	GREEN	.64

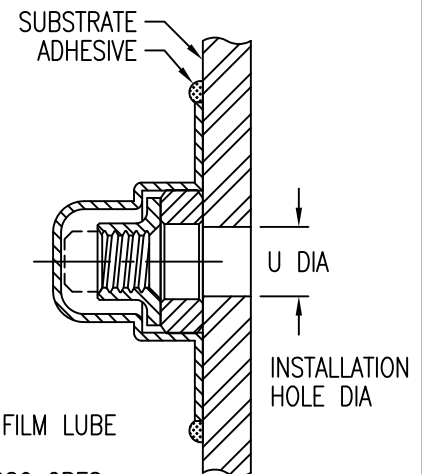
\* APPROXIMATE WEIGHT WITHOUT DISPOSABLE INSTALLATION FIXTURE.

NOTE: "NL" PART NUMBER SUFFIX INDICATES NON-LOCKING NUT ELEMENT.

EXAMPLE PART NUMBER

CB9121 CR 4M CR P F

OPTIONAL TOPCOAT ON DOME  
 OPTIONAL PRIMER ON BASEPLATE  
 NUT MATERIAL - A-286 CRES, DRI-FILM LUBE  
 THREAD SIZE - MJ4 X 0,7 4H6H  
 DOME AND WASHER MATERIAL - A-286 CRES  
 BASIC PART NUMBER



UNLESS OTHERWISE SPECIFIED, ALL DIMENSIONS ARE IN MILLIMETERS AND TOLERANCES ARE AS SHOWN BELOW. DIMENSIONAL TOLERANCES AND SYMBOLS PER ANSI Y14.5M-1982.

PROPRIETARY PARTS SHOWN IN THIS DRAWING ARE THE SUBJECT OF ISSUED UNITED STATES AND FOREIGN PATENTS AND PATENTS PENDING. UNAUTHORIZED REPRODUCTION AND/OR DISTRIBUTION OF THIS DRAWING IS SPECIFICALLY PROHIBITED.

**CLICK BOND**

CARSON CITY  
NEVADA 89706

APPROVALS		DATE	TITLE			
DRAWN	DAC	28SEP10	NUTPLATE, MINIATURE, FLOATING, SEALED, TWO LUG			
CHECKED	DAC/mtm	28SEP10	SIZE	CAGE CODE	DWG. NO.	REV.
RELEASED	ABC/mtm	28SEP10	A	66530	CB9121 (METRIC)	3
REVISED	DAC	28SEP10	SCALE	2/1	28SEP10	SHEET 2 OF 2

CAD CB9121-2  
METRIC DIMENSIONS

ANGLES	±1°
.X	±0,8
.XX	±0,25