

BORE DIA AND THICKNESS DATA

CODE	H	A	B	T ±.005
06	.140 - .150	.62	.365 - .375	.030
08	.170 - .180	.75	.427 - .437	.030
3	.200 - .210	.87	.427 - .437	.030
4	.265 - .275	1.00	.552 - .562	.030
5	.323 - .333	1.12	.615 - .625	.040
6	.385 - .395	1.25	.677 - .687	.050

BUSHING MATERIAL AND FINISH DATA

CODE	MATERIAL	SPEC.	FINISH	SPEC.
A	2024-T3 OR -T351 ALUMINUM	AMS-QQ-A-200, AMS-QQ-A-225	NONE	
AA	2024-T3 OR -T351 ALUMINUM	AMS-QQ-A-200, AMS-QQ-A-225	ANODIZE	MIL-A-8625 TYPE I
AC	2024-T3 OR -T351 ALUMINUM	AMS-QQ-A-200, AMS-QQ-A-225	CHEMICAL CONVERSION COATING	MIL-C-5541 CLASS 3
CR	304 CRES	AMS 5639	PASSIVATE	AMS 2700
CV	INVAR 36	UNS K93601 OR UNS K93602	NONE	
T	6AL-4V TITANIUM	AMS 4928, 4965, OR 4967	NONE	
V	POLYETHERIMIDE/GLASS		POWDER BLAST	

EXAMPLE PART NUMBER

CB9029 AA 3-500

MINIMUM GRIP LENGTH CODE L - 100 (.100 INCH)

↑ GRIP LENGTH L IN THOUSANDTHS OF AN INCH - .500
 ↑ HOLE SIZE CODE
 ↑ BUSHING MATERIAL - 2024 ALUMINUM, ANODIZED
 ↑ BASIC PART NUMBER

UNLESS OTHERWISE SPECIFIED, ALL DIMENSIONS ARE IN INCHES AND TOLERANCES ARE AS SHOWN BELOW. DIMENSIONAL TOLERANCES AND SYMBOLS PER ANSI Y14.5M-1982.

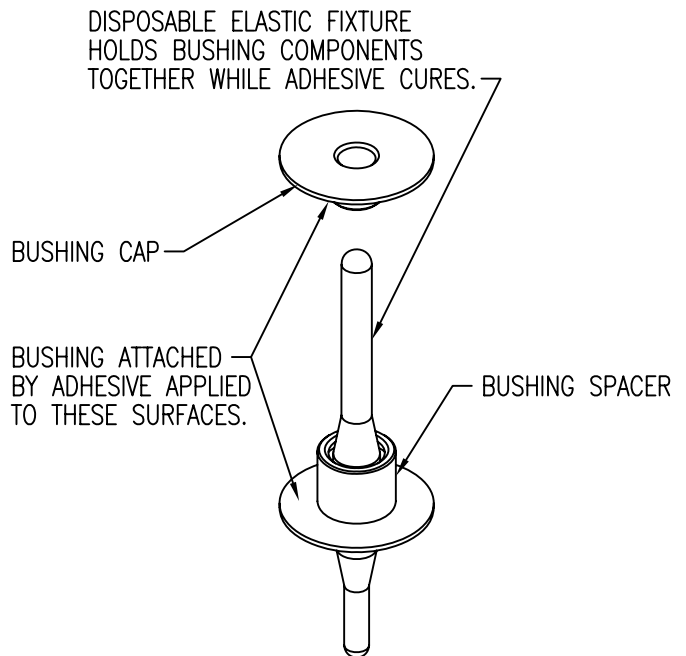
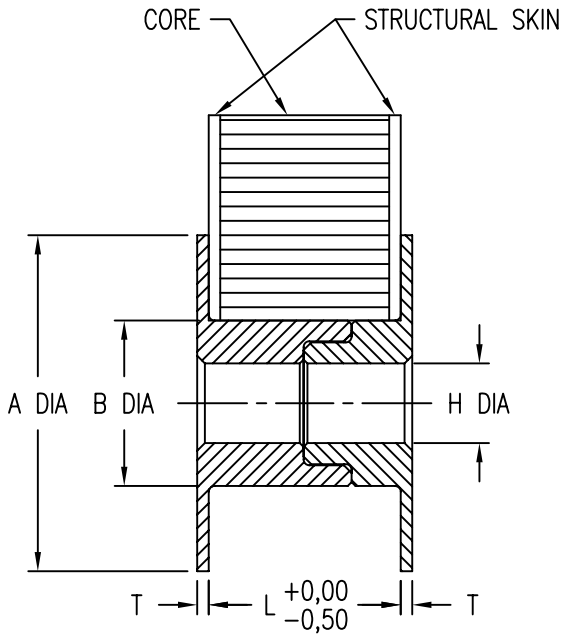
PROPRIETARY PARTS SHOWN IN THIS DRAWING ARE THE SUBJECT OF ISSUED UNITED STATES AND FOREIGN PATENTS AND PATENTS PENDING. UNAUTHORIZED REPRODUCTION AND/OR DISTRIBUTION OF THIS DRAWING IS SPECIFICALLY PROHIBITED.

CLICK BOND

CARSON CITY
NEVADA 89706

CAD CB9029-1		APPROVALS	DATE
ANGLES	±1°	DRAWN BPEREZ	2FEB10
.XX	±.03	CHECKED DOC	2FEB10
.XXX	±.010	RELEASED CGH	2FEB10
.XXXX	±.001	REVISED BPEREZ	2FEB10

TITLE			
BUSHING, SPACER INSERT, PLAIN			
SIZE	CAGE CODE	DWG. NO.	REV.
A	66530	CB9029	13
SCALE	2/1	2FEB10	SHEET 1 OF 2



BORE DIA AND THICKNESS DATA

CODE	H	A	B	T ±0,13
3M	3,2 - 3,4	15,8	8,8 - 9,0	0,76
4M	4,2 - 4,4	19,1	9,8 - 10,0	0,76
5M	5,2 - 5,4	22,1	10,8 - 11,0	0,76
6M	6,2 - 6,4	25,4	12,8 - 13,0	0,76
8M	8,2 - 8,4	28,4	14,8 - 15,0	1,02
10M	10,2 - 10,4	31,8	16,8 - 17,0	1,27

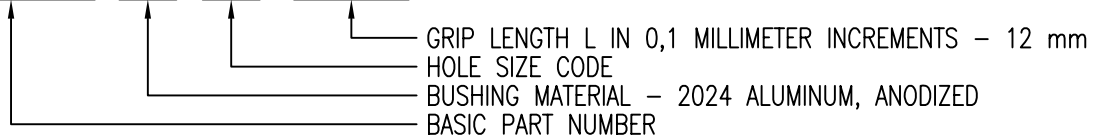
BUSHING MATERIAL AND FINISH DATA

CODE	MATERIAL	SPEC.	FINISH	SPEC.
A	2024-T3 OR -T351 ALUMINUM	AMS-QQ-A-200, AMS-QQ-A-225	NONE	
AA	2024-T3 OR -T351 ALUMINUM	AMS-QQ-A-200, AMS-QQ-A-225	ANODIZE	MIL-A-8625 TYPE I
AC	2024-T3 OR -T351 ALUMINUM	AMS-QQ-A-200, AMS-QQ-A-225	CHEMICAL CONVERSION COATING	MIL-C-5541 CLASS 3
CR	304 CRES	AMS 5639	PASSIVATE	AMS 2700
CV	INVAR 36	UNS K93601 OR UNS K93602	NONE	
T	6AL-4V TITANIUM	AMS 4928, 4965, OR 4967	NONE	
V	POLYETHERIMIDE/GLASS		POWDER BLAST	

EXAMPLE PART NUMBER

CB9029 AA 5M 120M

MINIMUM GRIP LENGTH CODE L - 25 (2,5 mm)



UNLESS OTHERWISE SPECIFIED, ALL DIMENSIONS ARE IN MILLIMETERS AND TOLERANCES ARE AS SHOWN BELOW. DIMENSIONAL TOLERANCES AND SYMBOLS PER ANSI Y14.5M-1982.

PROPRIETARY PARTS SHOWN IN THIS DRAWING ARE THE SUBJECT OF ISSUED UNITED STATES AND FOREIGN PATENTS AND PATENTS PENDING. UNAUTHORIZED REPRODUCTION AND/OR DISTRIBUTION OF THIS DRAWING IS SPECIFICALLY PROHIBITED.

CLICK BOND CARSON CITY NEVADA 89706

CAD CB9029-2 METRIC DIMENSIONS		APPROVALS	DATE
ANGLES	±1°	DRAWN BPEREZ	2FEB10
.X	±0,8	CHECKED JOC	2FEB10
.XX	±0,25	RELEASED CGH	2FEB10
		REVISED BPEREZ	2FEB10

TITLE			
BUSHING, SPACER INSERT, PLAIN			
SIZE	CAGE CODE	DWG. NO.	REV.
A	66530	CB9029 (METRIC)	13
SCALE	2/1	2FEB10	SHEET 2 OF 2