

MATERIAL AND FINISH DATA

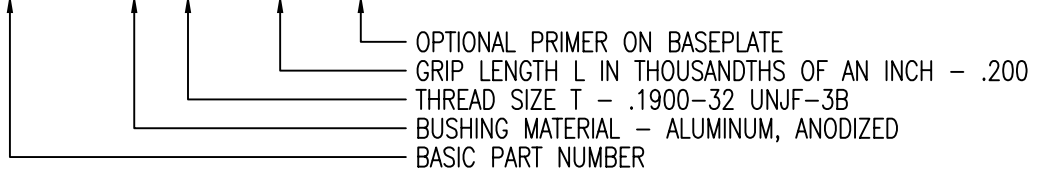
CODE	MATERIAL	SPEC.	FINISH	SPEC.
A	7075-T6 ALUMINUM	AMS 4122, QQ-A-225/9	ANODIZE	MIL-A-8625, TYPE 1, NO SEAL
CR	302, 303, 304 CRES OR A-286 CRES	AMS 5637, 5638, 5639, 5640, 5641 AMS 5726, 5731, 5732, 5734, 5737	PASSIVATE	AMS 2700
CRA	A-286 CRES	AMS 5726, 5731, 5732, 5734, 5737	PASSIVATE	AMS 2700
CRM	316 CRES	AMS 5648, 5649, 5653	PASSIVATE	AMS 2700
T	6AL-4V TITANIUM	AMS 4928, 4965, 4967	NONE	

THREAD AND DIMENSION DATA AND STRENGTH REQUIREMENTS - THREAD T PER AS8879

CODE	THREAD T	A DIA	B DIA	L MIN	H REF	J REF	K REF	TENSILE (LBS MIN)	
								ALUMINUM	STEEL
04	.1120-40 UNJC-3B	.250	.50	.060	1.42	.68	1.05	370	370
06	.1380-32 UNJC-3B	.250	.62	.100	1.42	.68	1.05	560	560
08	.1640-32 UNJC-3B	.250	.62	.100	1.42	.68	1.05	860	860
324	.1900-24 UNJC-3B	.312	.75	.100	1.42	.68	1.05	-	-
3	.1900-32 UNJF-3B	.312	.75	.100	1.42	.68	1.05	1230	1230
420	.2500-20 UNJC-3B	.375	1.00	.180	2.00	.90	1.05	-	-
4	.2500-28 UNJF-3B	.375	1.00	.180	2.00	.90	1.05	1140	2290

EXAMPLE PART NUMBER

CB5005 A 3-200 P



OPTIONAL BASEPLATE PRIMER

CODE	MATERIAL SPEC.
P	MIL-PRF-85582

UNLESS OTHERWISE SPECIFIED, ALL DIMENSIONS ARE IN INCHES AND TOLERANCES ARE AS SHOWN BELOW. DIMENSIONAL TOLERANCES AND SYMBOLS PER ANSI Y14.5M-1982.

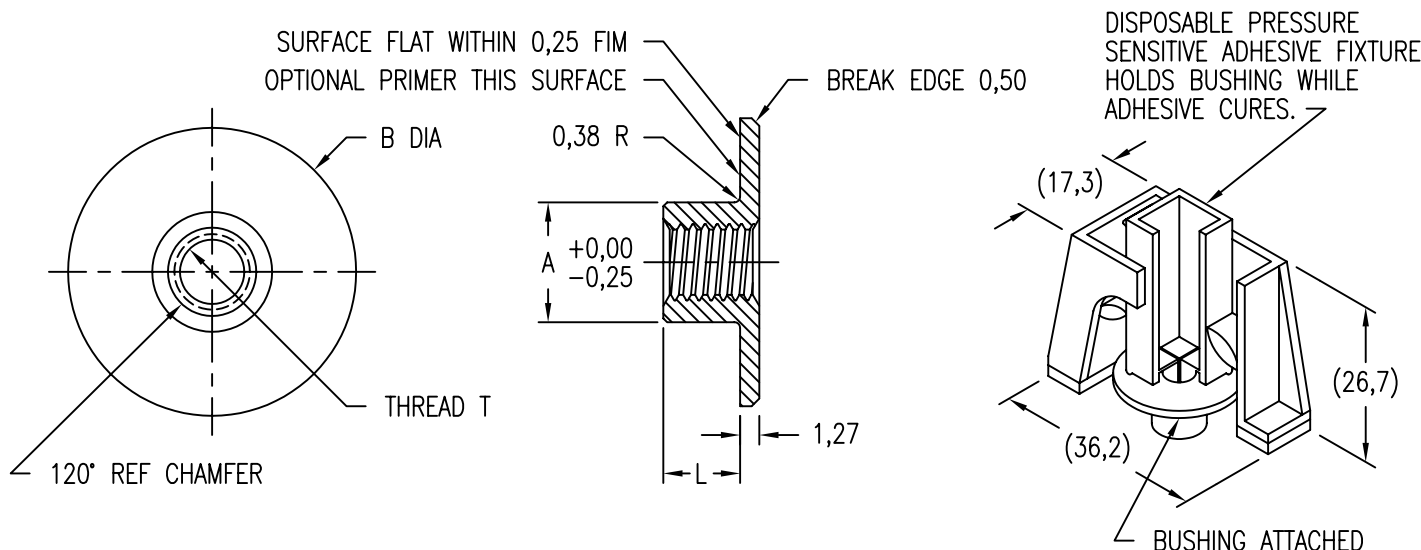
PROPRIETARY PARTS SHOWN IN THIS DRAWING ARE THE SUBJECT OF ISSUED UNITED STATES AND FOREIGN PATENTS AND PATENTS PENDING. UNAUTHORIZED REPRODUCTION AND/OR DISTRIBUTION OF THIS DRAWING IS SPECIFICALLY PROHIBITED.



CARSON CITY NEVADA 89706

CAD CB5005-1		APPROVALS	DATE
ANGLES	±1°	DRAWN DAC	30JUN05
.XX	±.03	CHECKED <i>[Signature]</i>	30JUN05
.XXX	±.010	RELEASED CGH	30JUN05
.XXXX	±.001	REVISED DAC	30JUN05

TITLE			
BUSHING, THREADED, SMALL BASE			
SIZE	CAGE CODE	DWG. NO.	REV.
A	66530	CB5005	13
SCALE	30JUN05		SHEET 1 OF 2



DEBURR AND BREAK ALL EDGES 0,25. SURFACE TEXTURE 3,2 MICROMETERS MAX. GRIP LENGTH L SPECIFIED IN MILLIMETERS. MINIMUM LENGTH AVAILABLE AS PER TABLE. DISPOSABLE PRESSURE SENSITIVE ADHESIVE FIXTURE HOLDS BUSHING WHILE ADHESIVE CURES. BUSHING ATTACHED BY ADHESIVE APPLIED TO THIS SURFACE.

MATERIAL AND FINISH DATA

CODE	MATERIAL	SPEC.	FINISH	SPEC.
A	7075-T6 ALUMINUM	AMS 4122, QQ-A-225/9	ANODIZE	MIL-A-8625, TYPE 1, NO SEAL
CR	302, 303, 304 CRES OR A-286 CRES	AMS 5637, 5638, 5639, 5640, 5641 AMS 5726, 5731, 5732, 5734, 5737	PASSIVATE	AMS 2700
CRA	A-286 CRES	AMS 5726, 5731, 5732, 5734, 5737	PASSIVATE	AMS 2700
CRM	316 CRES	AMS 5648, 5649, 5653	PASSIVATE	AMS 2700
T	6AL-4V TITANIUM	AMS 4928, 4965, 4967	NONE	

THREAD AND DIMENSION DATA AND STRENGTH REQUIREMENTS - THREAD T PER ISO5855

CODE	THREAD T	A DIA	B DIA	L MIN	TENSILE (kN MIN)
3M	MJ3 X 0,5 4H6H	6,35	15,9	3	2,5
4M	MJ4 X 0,7 4H6H	6,35	15,9	3	3,8
5M	MJ5 X 0,8 4H6H	7,95	19,1	3	5,5

OPTIONAL BASEPLATE PRIMER

CODE	MATERIAL SPEC.
P	MIL-PRF-85582

EXAMPLE PART NUMBER

CB5005 A 5M 5M P

OPTIONAL PRIMER ON BASEPLATE
GRIP LENGTH L IN MILLIMETERS - 5 MM
THREAD SIZE T - MJ5 X 0,8 4H6H
BUSHING MATERIAL - ALUMINUM, ANODIZED
BASIC PART NUMBER

UNLESS OTHERWISE SPECIFIED, ALL DIMENSIONS ARE IN MILLIMETERS AND TOLERANCES ARE AS SHOWN BELOW. DIMENSIONAL TOLERANCES AND SYMBOLS PER ANSI Y14.5M-1982.

PROPRIETARY PARTS SHOWN IN THIS DRAWING ARE THE SUBJECT OF ISSUED UNITED STATES AND FOREIGN PATENTS AND PATENTS PENDING. UNAUTHORIZED REPRODUCTION AND/OR DISTRIBUTION OF THIS DRAWING IS SPECIFICALLY PROHIBITED.

GLICK BOND CARSON CITY NEVADA 89706

CAD CB5005-2 METRIC DIMENSIONS		<table border="1"> <thead> <tr> <th>APPROVALS</th> <th>DATE</th> </tr> </thead> <tbody> <tr> <td>DRAWN <i>DAC</i></td> <td>30JUN05</td> </tr> <tr> <td>CHECKED <i>DAC/mtm</i></td> <td>30JUN05</td> </tr> <tr> <td>RELEASED <i>CGH</i></td> <td>30JUN05</td> </tr> <tr> <td>REVISED <i>DAC</i></td> <td>30JUN05</td> </tr> </tbody> </table>		APPROVALS	DATE	DRAWN <i>DAC</i>	30JUN05	CHECKED <i>DAC/mtm</i>	30JUN05	RELEASED <i>CGH</i>	30JUN05	REVISED <i>DAC</i>	30JUN05	TITLE BUSHING, THREADED, SMALL BASE		
APPROVALS	DATE															
DRAWN <i>DAC</i>	30JUN05															
CHECKED <i>DAC/mtm</i>	30JUN05															
RELEASED <i>CGH</i>	30JUN05															
REVISED <i>DAC</i>	30JUN05															
ANGLES ±1°	.X ±0,8	.XX ±0,25	SIZE A	CAGE CODE 66530	DWG. NO. CB5005 (METRIC)	REV. 13										
SCALE 2/1		30JUN05		SHEET 2 OF 2												