

LENGTH L DATA (LENGTH L IN SIXTEENTHS OF AN INCH)

CODE	6	8	10	12	14	16	20	24	28	32	36	40
L	.375	.500	.625	.750	.875	1.000	1.250	1.500	1.750	2.000	2.250	2.500

BASEPLATE MATERIAL AND FINISH DATA

CODE	MATERIAL	FINISH
CR	300 SERIES CRES	PASSIVATE
CRM	316 CRES	PASSIVATE
G	GLASS/EPOXY	NONE

COARSE THREAD DATA

CODE	THREAD T
1024	.190-24 UNC-2A
1420	.250-20 UNC-2A
51618	.3125-18 UNC-2A
3816	.375-16 UNC-2A
1213	.500-13 UNC-2A

FINE THREAD DATA

CODE	THREAD T
1032	.190-32 UNF-2A
1428	.250-28 UNF-2A
51624	.3125-24 UNF-2A
3824	.375-24 UNF-2A
1220	.500-20 UNF-2A

STUD MATERIAL AND FINISH DATA

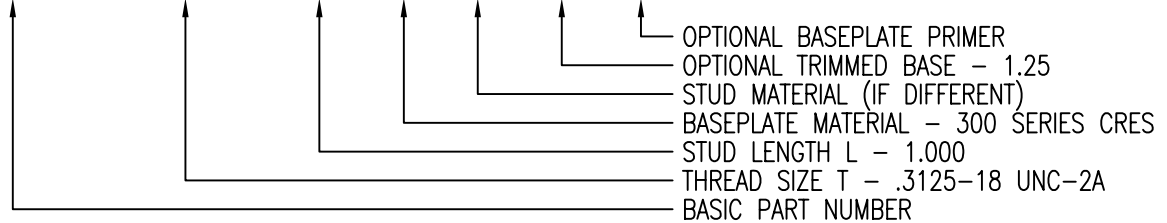
CODE	MATERIAL	FINISH
CR	300 SERIES CRES	PASSIVATE
CRM	316 CRES	PASSIVATE

OPTIONAL BASEPLATE PRIMER

CODE	PRIMER
P	EPOXY PRIMER

EXAMPLE PART NUMBER

CS200-51618-16 CR 125 P



OPTIONAL BASEPLATE PRIMER
 OPTIONAL TRIMMED BASE - 1.25
 STUD MATERIAL (IF DIFFERENT)
 BASEPLATE MATERIAL - 300 SERIES CRES
 STUD LENGTH L - 1.000
 THREAD SIZE T - .3125-18 UNC-2A
 BASIC PART NUMBER

UNLESS OTHERWISE SPECIFIED, ALL DIMENSIONS ARE IN INCHES AND TOLERANCES ARE AS SHOWN BELOW. DIMENSIONAL TOLERANCES AND SYMBOLS PER ANSI Y14.5M-1982.

PROPRIETARY PARTS SHOWN IN THIS DRAWING ARE THE SUBJECT OF ISSUED UNITED STATES AND FOREIGN PATENTS AND PATENTS PENDING. UNAUTHORIZED REPRODUCTION AND/OR DISTRIBUTION OF THIS DRAWING IS SPECIFICALLY PROHIBITED.

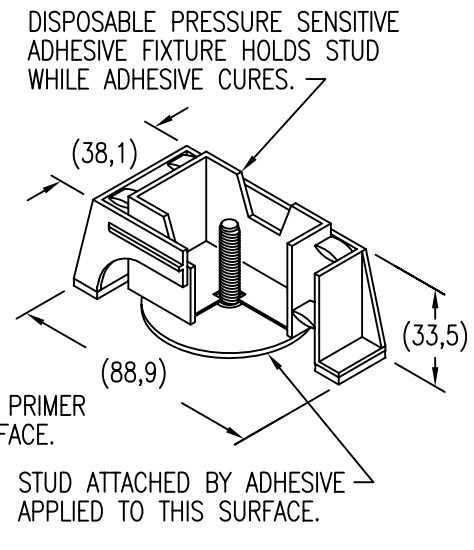
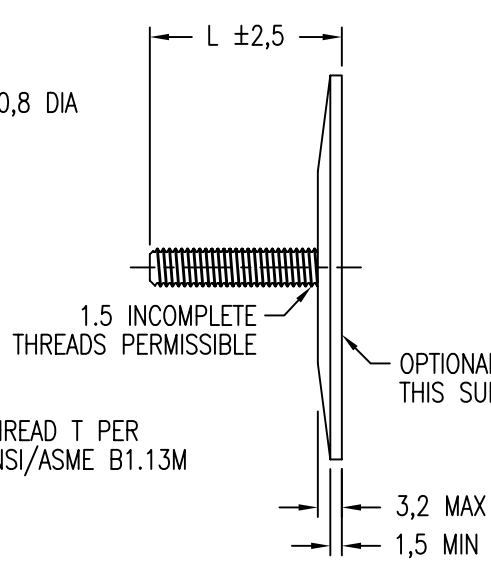
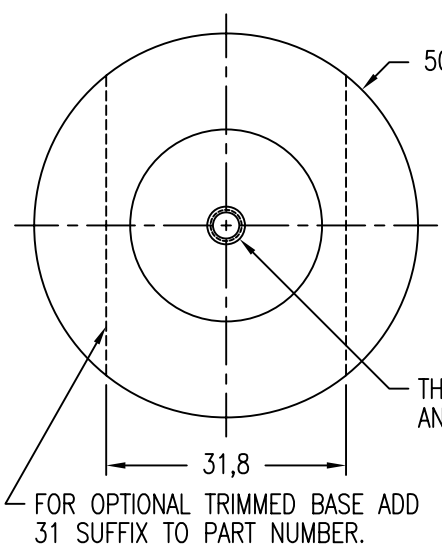


CARSON CITY
 NEVADA 89706

CAD CS200-1	
ANGLES	±1°
.XX	±.03
.XXX	±.010
.XXXX	±.001

APPROVALS	DATE
DRAWN <i>DAC</i>	4APR08
CHECKED <i>DAC</i>	4APR08
RELEASED <i>DAC</i>	4APR08
REVISED <i>DAC</i>	4APR08

TITLE STUD, VERY LARGE BASE, ADHESIVE BONDED			
SIZE A	CAGE CODE 66530	DWG. NO. CS200	REV. 12
SCALE 1/1	4APR08	SHEET 1 OF 2	



LENGTH L DATA (LENGTH L IN MILLIMETERS)

CODE	10M	12M	15M	18M	20M	25M	30M	35M	40M	45M	50M	100M
L	10	12	15	18	20	25	30	35	40	45	50	100

BASEPLATE MATERIAL AND FINISH DATA

CODE	MATERIAL	FINISH
CR	300 SERIES CRES	PASSIVATE
CRM	316 CRES	PASSIVATE
G	GLASS/EPOXY	NONE

THREAD DATA

CODE	THREAD T
5M	M5 X 0,8 6g
6M	M6 X 1,0 6g
8M	M8 X 1,25 6g
10M	M10 X 1,50 6g
12M	M12 X 1,75 6g

STUD MATERIAL AND FINISH DATA

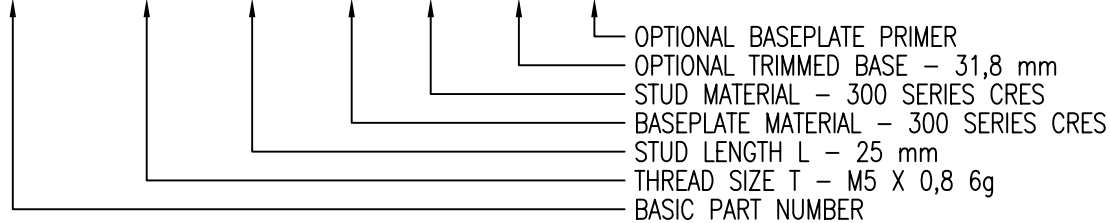
CODE	MATERIAL	FINISH
CR	300 SERIES CRES	PASSIVATE
CRM	316 CRES	PASSIVATE

OPTIONAL BASEPLATE PRIMER

CODE	PRIMER
P	EPOXY PRIMER

EXAMPLE PART NUMBER

CS200-5M 25M CR 31 P



UNLESS OTHERWISE SPECIFIED, ALL DIMENSIONS ARE IN MILLIMETERS AND TOLERANCES ARE AS SHOWN BELOW. DIMENSIONAL TOLERANCES AND SYMBOLS PER ANSI Y14.5M-1982.

PROPRIETARY PARTS SHOWN IN THIS DRAWING ARE THE SUBJECT OF ISSUED UNITED STATES AND FOREIGN PATENTS AND PATENTS PENDING. UNAUTHORIZED REPRODUCTION AND/OR DISTRIBUTION OF THIS DRAWING IS SPECIFICALLY PROHIBITED.



CARSON CITY NEVADA 89706

CAD CS200-2 METRIC DIMENSIONS	
ANGLES	±1°
.X	±0,8
.XX	±0,25

APPROVALS	DATE
DRAWN <i>DAC</i>	4APR08
CHECKED <i>DAC</i>	4APR08
RELEASED <i>ABC</i>	4APR08
REVISED <i>DAC</i>	4APR08

TITLE STUD, VERY LARGE BASE, ADHESIVE BONDED			
SIZE A	CAGE CODE 66530	DWG. NO. CS200 (METRIC)	REV. 12
SCALE 1/1	4APR08	SHEET 2 OF 2	