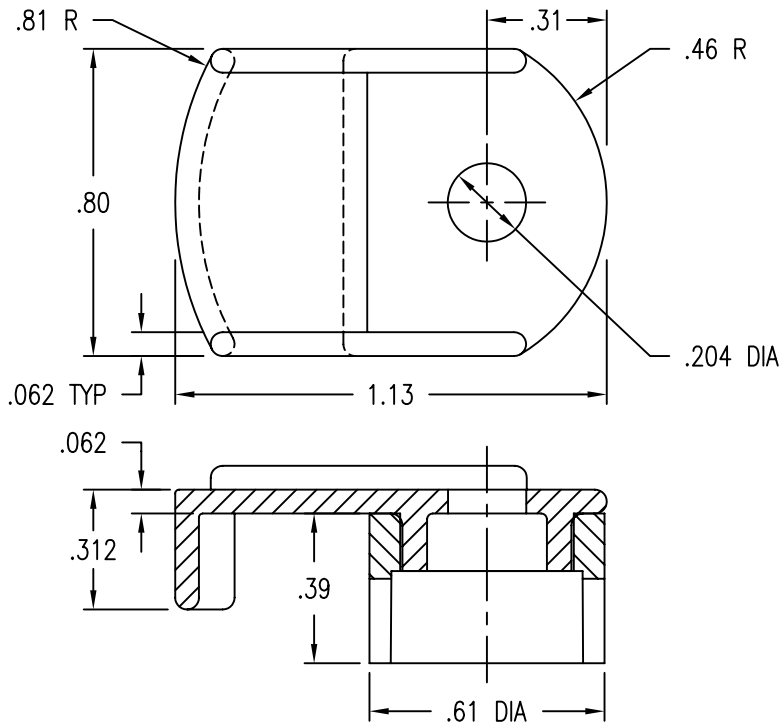
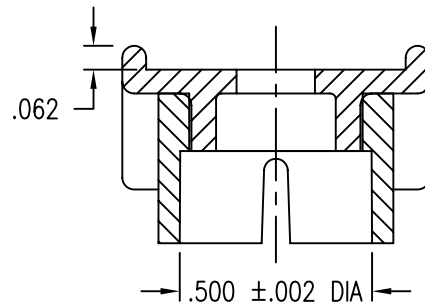


TYPICAL APPLICATION:
MS21919 CUSHIONED LINE
SUPPORT CLAMP MOUNTED
TO SUBSTRATE WITH AN
ADHESIVE BONDED STANDOFF
AND A .1900-32 SCREW.



MATERIAL: GLASS/POLYETHERIMIDE



EXAMPLE PART NUMBER

CB9421 V 3

REFERENCE SIZE - .1900-32 SCREW
MATERIAL - GLASS/POLYETHERIMIDE
BASIC PART NUMBER

UNLESS OTHERWISE SPECIFIED, ALL DIMENSIONS ARE IN INCHES AND TOLERANCES ARE AS SHOWN BELOW. DIMENSIONAL TOLERANCES AND SYMBOLS PER ANSI Y14.5M-1982.

PROPRIETARY PARTS SHOWN IN THIS DRAWING ARE THE SUBJECT OF ISSUED UNITED STATES AND FOREIGN PATENTS AND PATENTS PENDING. UNAUTHORIZED REPRODUCTION AND/OR DISTRIBUTION OF THIS DRAWING IS SPECIFICALLY PROHIBITED.

GLICK BOND

CARSON CITY
NEVADA 89706

APPROVALS		DATE	TITLE			
ANGLES	±1°	DRAWN <i>DAC</i>	SUPPORT, LINE CLAMP			
.XX	±.03	CHECKED <i>DOC/mt</i>	SIZE	CAGE CODE	DWG. NO.	REV.
.XXX	±.010	RELEASED <i>CGH</i>	A	66530	CB9421	2
.XXXX	±.001	REVISED <i>DAC</i>	SCALE	2/1	22SEP05	SHEET 1 OF 1