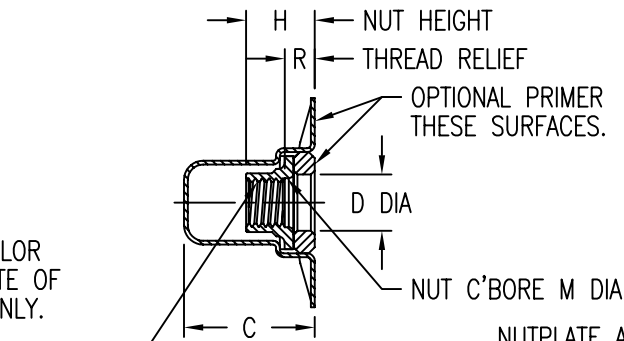


RED PAINT DOT COLOR CODE ON BASEPLATE OF 08 THREAD SIZE ONLY.  
MFG. I.D.

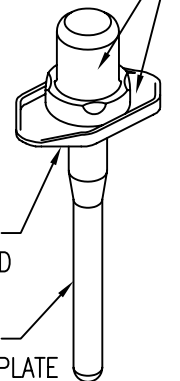


THREAD T  
THREAD PER AS8879.  
RADIAL FLOAT OF NUT ELEMENT .020 MIN FROM CENTER LINE IN ANY DIRECTION. THREAD LOCK BY ELLIPTICAL DEFORMATION.

OPTIONAL PRIMER THESE SURFACES.  
NUTPLATE ATTACHED BY ADHESIVE APPLIED TO THIS SURFACE.

DISPOSABLE ELASTIC FIXTURE HOLDS NUTPLATE WHILE ADHESIVE CURES.

OPTIONAL TOPCOAT THESE SURFACES.



THREAD AND DIMENSION DATA (ALL DIMENSIONS BEFORE PAINT)

| PART NUMBER     | THREAD T         | A MAX | B MAX | C MAX            | D MIN | F MAX | H MAX | R MIN | M MIN |
|-----------------|------------------|-------|-------|------------------|-------|-------|-------|-------|-------|
| CB8010( )08( )2 | .1640-32 UNJC-3B | .995  | .580  | .637             | .204  | .800  | .325  | .125  | .168  |
| CB8010( )3( )2  | .1900-32 UNJF-3B | .995  | .580  | .637             | .230  | .800  | .320  | .125  | .194  |
| CB8010( )3( )3  |                  |       |       | .700             |       |       | .383  | .187  |       |
| CB8010( )3( )4  |                  |       |       | .762             |       |       | .445  | .250  |       |
| CB8010( )3( )5  |                  |       |       | .825             |       |       | .508  | .312  |       |
| CB8010( )3( )6  |                  |       |       | .887             |       |       | .570  | .375  |       |
| CB8010( )3( )7  |                  |       |       | .950             |       |       | .633  | .437  |       |
| CB8010( )3( )8  |                  |       |       | 1.012            |       |       | .695  | .500  |       |
| CB8010( )4( )2  |                  |       |       | .2500-28 UNJF-3B |       |       | 1.100 | .725  |       |
| CB8010( )4( )3  | .754             | .428  | .187  |                  |       |       |       |       |       |
| CB8010( )4( )4  | .816             | .490  | .250  |                  |       |       |       |       |       |
| CB8010( )4( )5  | .879             | .553  | .312  |                  |       |       |       |       |       |
| CB8010( )4( )6  | .941             | .615  | .375  |                  |       |       |       |       |       |
| CB8010( )4( )7  | 1.004            | .678  | .437  |                  |       |       |       |       |       |
| CB8010( )4( )8  | 1.066            | .740  | .500  |                  |       |       |       |       |       |
| CB8010( )5( )2  | .3125-24 UNJF-3B | 1.200 | .807  |                  | .785  | .353  |       |       | 1.050 |
| CB8010( )5( )3  |                  |       |       | .848             | .462  |       | .187  |       |       |
| CB8010( )5( )4  |                  |       |       | .910             | .524  |       | .250  |       |       |
| CB8010( )5( )5  |                  |       |       | .973             | .586  |       | .312  |       |       |
| CB8010( )5( )6  |                  |       |       | 1.035            | .649  |       | .375  |       |       |
| CB8010( )5( )7  |                  |       |       | 1.098            | .711  |       | .437  |       |       |
| CB8010( )5( )8  |                  |       |       | 1.160            | .774  |       | .500  |       |       |
| CB8010( )6( )2  |                  |       |       | .3750-24 UNJF-3B | 1.45  |       | .990  | .950  |       |
| CB8010( )7( )2  | .4375-20 UNJF-3B | 1.69  | 1.11  | 1.037            | .478  | 1.47  | .560  | .125  | .441  |
| CB8010( )8( )2  | .5000-20 UNJF-3B | 1.95  | 1.24  | 1.150            | .540  | 1.70  | .640  | .125  | .504  |

UNLESS OTHERWISE SPECIFIED, ALL DIMENSIONS ARE IN INCHES AND TOLERANCES ARE AS SHOWN BELOW. DIMENSIONAL TOLERANCES AND SYMBOLS PER ANSI Y14.5M-1982.

PROPRIETARY PARTS SHOWN IN THIS DRAWING ARE THE SUBJECT OF ISSUED UNITED STATES AND FOREIGN PATENTS AND PATENTS PENDING. UNAUTHORIZED REPRODUCTION AND/OR DISTRIBUTION OF THIS DRAWING IS SPECIFICALLY PROHIBITED.

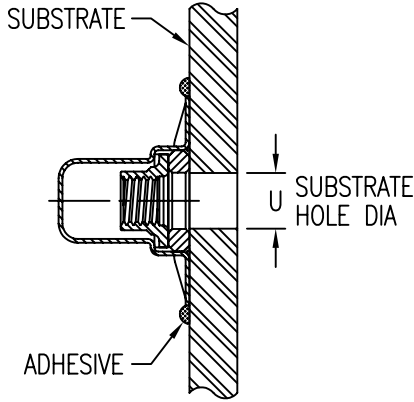
**GLICK BOND**

CARSON CITY  
NEVADA 89706

CAD CB8010-1

| APPROVALS              | DATE    |
|------------------------|---------|
| DRAWN <i>DAC</i>       | 12MAR06 |
| CHECKED <i>DDC/mtm</i> | 12MAR06 |
| RELEASED <i>CGH</i>    | 12MAR06 |
| REVISED                |         |

| TITLE                     |           |          |         |
|---------------------------|-----------|----------|---------|
| NUTPLATE, SEALED, TWO LUG |           |          |         |
| SIZE                      | CAGE CODE | DWG. NO. | REV.    |
| A                         | 66530     | CB8010   | 0       |
| SCALE                     | 1/1       |          | 12MAR06 |
| SHEET 1 OF 2              |           |          |         |



INSTALLATION HOLE SIZE

| THREAD CODE | U MIN | U MAX |
|-------------|-------|-------|
| 08          | .164  | .204  |
| 3           | .190  | .230  |
| 4           | .250  | .290  |
| 5           | .312  | .353  |
| 6           | .375  | .415  |
| 7           | .437  | .478  |
| 8           | .500  | .540  |

NUT MATERIAL AND FINISH DATA

| CODE | MATERIAL   | SPEC.                            | FINISH    | SPEC.                    | DRI-FILM LUBE |
|------|------------|----------------------------------|-----------|--------------------------|---------------|
| -    | A-286 CRES | AMS 5525, 5726, 5731, 5732, 5737 | PASSIVATE | AMS 2700                 | AS5272 TY 1   |
| CRC  |            |                                  | CAD PLATE | AMS-QQ-P-416 TY II, CL 2 |               |

WASHER MATERIAL AND FINISH DATA

| CODE | MATERIAL              | SPEC.                            | FINISH    | SPEC.      |
|------|-----------------------|----------------------------------|-----------|------------|
| CR   | A-286 CRES            | AMS 5525, 5726, 5731, 5732, 5737 | PASSIVATE | AMS 2700   |
| ACR  | 2024 OR 6061 ALUMINUM | AMS-QQ-A-200 OR AMS-QQ-A-225     | ANODIZE   | MIL-A-8625 |

DOME MATERIAL AND FINISH DATA

| CODE | MATERIAL   | SPEC.    | PASSIVATE |
|------|------------|----------|-----------|
| CR   | A-286 CRES | AMS 5525 | AMS 2700  |
| ACR  |            |          |           |

OPTIONAL BASEPLATE PRIMER

| CODE | MATERIAL SPEC. |
|------|----------------|
| P    | MIL-PRF-85582  |

OPTIONAL TOPCOAT

| CODE | MATERIAL SPEC.             |
|------|----------------------------|
| F    | AMS-C-27725A TYPE 2 YELLOW |

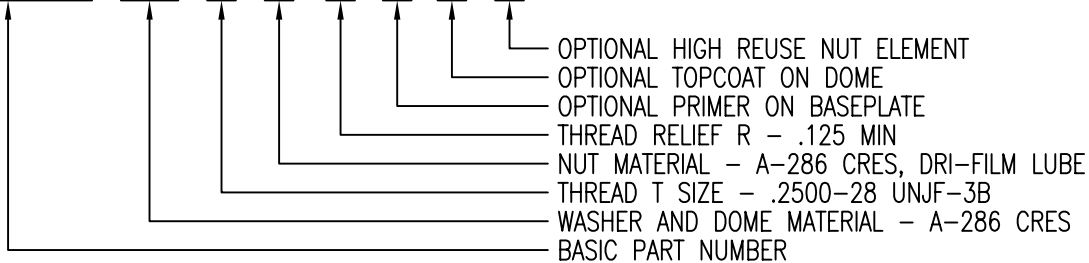
STRENGTH REQUIREMENTS: NUTPLATE TO MEET THE NASM25027 STRENGTH REQUIREMENTS.

REUSABILITY REQUIREMENTS:

- NO SUFFIX - NUT ELEMENT TO MEET THE NASM25027 LOCKING TORQUE REQUIREMENTS FOR 15 REUSE CYCLES.
- "R" SUFFIX - NUT ELEMENT TO MEET THE NASM25027 LOCKING TORQUE REQUIREMENTS FOR 50 REUSE CYCLES.

EXAMPLE PART NUMBER

CB8010 CR 4 - 2 P F R



UNLESS OTHERWISE SPECIFIED, ALL DIMENSIONS ARE IN INCHES AND TOLERANCES ARE AS SHOWN BELOW. DIMENSIONAL TOLERANCES AND SYMBOLS PER ANSI Y14.5M-1982.

PROPRIETARY PARTS SHOWN IN THIS DRAWING ARE THE SUBJECT OF ISSUED UNITED STATES AND FOREIGN PATENTS AND PATENTS PENDING. UNAUTHORIZED REPRODUCTION AND/OR DISTRIBUTION OF THIS DRAWING IS SPECIFICALLY PROHIBITED.



CARSON CITY  
NEVADA 89706

| CAD CB8010-2 |       | APPROVALS | DATE    | TITLE                     |           |          |              |
|--------------|-------|-----------|---------|---------------------------|-----------|----------|--------------|
| ANGLES       | ±1°   | DRAWN     | 12MAR06 | NUTPLATE, SEALED, TWO LUG |           |          |              |
| .XX          | ±.03  | CHECKED   | 12MAR06 | SIZE                      | CAGE CODE | DWG. NO. | REV.         |
| .XXX         | ±.010 | RELEASED  | 12MAR06 | A                         | 66530     | CB8010   | 0            |
| .XXXX        | ±.001 | REVISED   |         | SCALE                     | 1/1       | 12MAR06  | SHEET 2 OF 2 |