

NUTPLATE MEETS THE STRENGTH AND REUSABILITY REQUIREMENTS OF NASM25027.

THREAD T
 THREAD PER AS8879.
 RADIAL FLOAT OF NUT ELEMENT .020 MIN FROM CENTERLINE IN ANY DIRECTION. THREAD LOCK BY ELLIPTICAL DEFORMATION PER NASM25027.

NUTPLATE ATTACHED BY ADHESIVE APPLIED TO THIS SURFACE.
 DISPOSABLE ELASTIC FIXTURE HOLDS NUTPLATE WHILE ADHESIVE CURES.

THREAD AND DIMENSION DATA

PART NUMBER	THREAD T	A MAX	B MAX	C MAX	D MIN	F MAX	H MAX	R MIN	M MIN	N REF							
CB6080()08()2	.1640-32 UNJC-3B	1.115	.700	.760	.204	.920	.325	.125	.168	.140							
CB6080()3()2				.760			.320	.125									
CB6080()3()3				.822			.383	.187									
CB6080()3()4				.885			.445	.250									
CB6080()3()5				.947			.508	.312									
CB6080()3()6	.1900-32 UNJF-3B	1.115	.700	.947	.230	.920	.508	.312	.194	.140							
CB6080()3()7				1.010			.570	.375									
CB6080()3()8				1.072			.633	.437									
CB6080()4()2				1.135			.695	.500									
CB6080()4()3				.814			.365	.125									
CB6080()4()4				.876			.428	.187									
CB6080()4()5				.939			.490	.250									
CB6080()4()6				1.001			.553	.312									
CB6080()4()7				1.064			.615	.375									
CB6080()4()8	1.126	.678	.437														
CB6080()5()2	.2500-28 UNJF-3B	1.220	.845	1.189	.290	1.070	.740	.500	.254	.140							
CB6080()5()3				.908			.406	.125									
CB6080()5()4				.970			.462	.187									
CB6080()5()5				1.033			.524	.250									
CB6080()5()6				1.095			.586	.312									
CB6080()5()7				1.158			.649	.375									
CB6080()5()8				1.220			.711	.437									
CB6080()6()2				.3125-24 UNJF-3B			1.320	.927			1.283	.353	1.17	.774	.500	.317	.145
CB6080()7()2				.3750-24 UNJF-3B			1.57	1.110			1.073	.415	1.36	.430	.125	.379	.145
CB6080()8()2	.4375-20 UNJF-3B	1.81	1.23	1.160	.478	1.59	.560	.125	.441	.200							
CB6080()8()2	.5000-20 UNJF-3B	2.07	1.36	1.273	.540	1.82	.640	.125	.504	.200							

UNLESS OTHERWISE SPECIFIED, ALL DIMENSIONS ARE IN INCHES AND TOLERANCES ARE AS SHOWN BELOW. DIMENSIONAL TOLERANCES AND SYMBOLS PER ANSI Y14.5M-1982.

PROPRIETARY PARTS SHOWN IN THIS DRAWING ARE THE SUBJECT OF ISSUED UNITED STATES AND FOREIGN PATENTS AND PATENTS PENDING. UNAUTHORIZED REPRODUCTION AND/OR DISTRIBUTION OF THIS DRAWING IS SPECIFICALLY PROHIBITED.

CLICK BOND

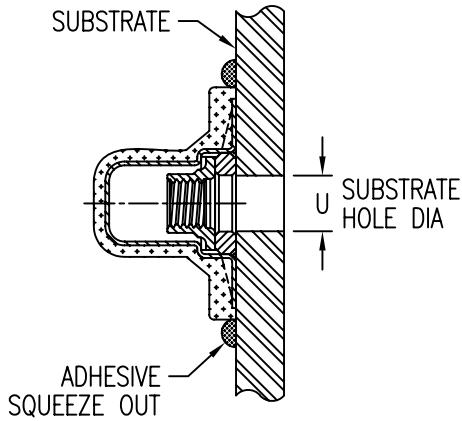
CARSON CITY NEVADA 89706

CAD CB6080-1

APPROVALS	DATE
DRAWN <i>DAC</i>	9MAR07
CHECKED <i>DAC/mtm</i>	9MAR07
RELEASED <i>CGH</i>	9MAR07
REVISED <i>DAC</i>	9MAR07

TITLE
 NUTPLATE, SEALED, INSULATED

SIZE	CAGE CODE	DWG. NO.	REV.
A	66530	CB6080	3
SCALE	1/1	9MAR07	SHEET 1 OF 4



INSTALLATION HOLE SIZE

THREAD CODE	U MAX
08	.204
3	.230
4	.290
5	.353
6	.415
7	.478
8	.540

MATERIAL AND FINISH DATA

CODE	NUT MATERIAL	SPEC.	PASSIVATE	DRI-FILM LUBE
CR	A-286 CRES	AMS 5525, 5726, 5731, 5732, 5737	AMS 2700	AS5272 TYPE 1
ACR				

CODE	WASHER MATERIAL	SPEC.	PASSIVATE
CR	A-286 CRES	AMS 5525, 5726, 5731, 5732, 5737	AMS 2700
ACR			

CODE	DOME MATERIAL	SPEC.	FINISH	SPEC.
CR	A-286 CRES	AMS 5726, 5731, 5732, 5737	PASSIVATE	AMS 2700
ACR	2024 OR 6061 ALUMINUM	AMS-QQ-A-200 OR AMS-QQ-A-225	ANODIZE	MIL-A-8625

INSULATION MATERIAL

CODE	MATERIAL
P	PEEK
V	POLYETHERIMIDE
S	POLYSULFIDE

OPTIONAL BASEPLATE PRIMER

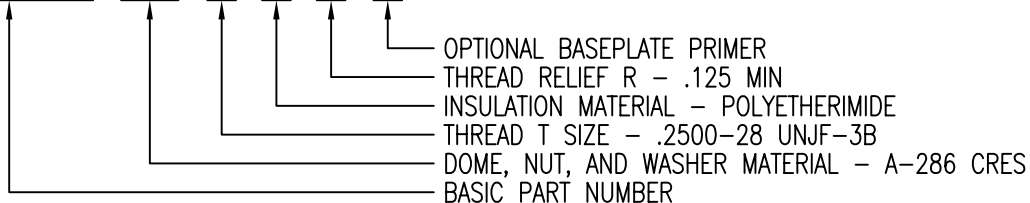
CODE	MATERIAL	SPEC.
P	MIL-PRF-85582	

ADDITIONAL REQUIREMENTS: PRESSURE TEST DOME TO 50 PSI.

"NL" SUFFIX TO PART NUMBER INDICATES NON-LOCKING NUT ELEMENT.

EXAMPLE PART NUMBER

CB6080 CR 4 V 2 P



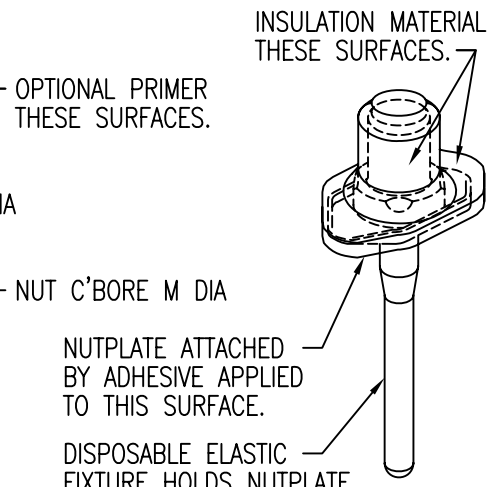
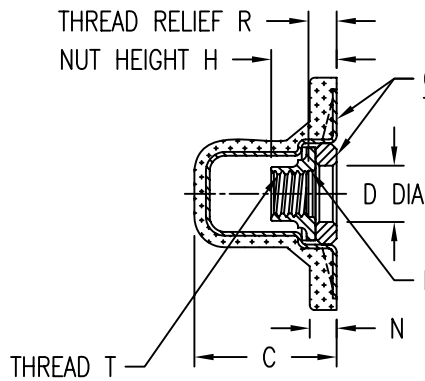
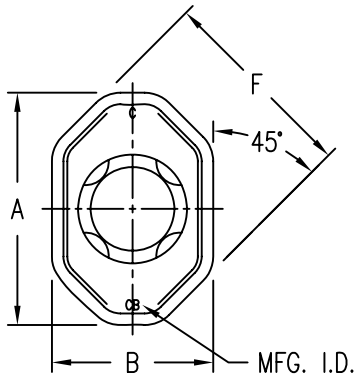
UNLESS OTHERWISE SPECIFIED, ALL DIMENSIONS ARE IN INCHES AND TOLERANCES ARE AS SHOWN BELOW. DIMENSIONAL TOLERANCES AND SYMBOLS PER ANSI Y14.5M-1982.

PROPRIETARY PARTS SHOWN IN THIS DRAWING ARE THE SUBJECT OF ISSUED UNITED STATES AND FOREIGN PATENTS AND PATENTS PENDING. UNAUTHORIZED REPRODUCTION AND/OR DISTRIBUTION OF THIS DRAWING IS SPECIFICALLY PROHIBITED.



CARSON CITY NEVADA 89706

CAD CB6080-2		APPROVALS		DATE	TITLE		
ANGLES	±1°	DRAWN	DAC	9MAR07	NUTPLATE, SEALED, INSULATED		
.XX	±.03	CHECKED	DAC	9MAR07	SIZE	CAGE CODE	DWG. NO.
.XXX	±.010	RELEASED	CGH	9MAR07	A	66530	CB6080
.XXXX	±.001	REVISED	DAC	9MAR07	SCALE	1/1	9MAR07
							SHEET 2 OF 4
							REV. 3



NUTPLATE MEETS THE TENSILE STRENGTH REQUIREMENTS OF ISO5858 (900 MPa).

THREAD T
 THREAD PER ISO5855.
 RADIAL FLOAT OF NUT ELEMENT 0,5 MIN FROM CENTERLINE IN ANY DIRECTION. THREAD LOCK BY ELLIPTICAL DEFORMATION.

NUTPLATE ATTACHED BY ADHESIVE APPLIED TO THIS SURFACE.

DISPOSABLE ELASTIC FIXTURE HOLDS NUTPLATE WHILE ADHESIVE CURES.

THREAD AND DIMENSION DATA

PART NUMBER	THREAD T	A MAX	B MAX	C MAX	D MIN	F MAX	H MAX	R MIN	M MIN	N REF
CB6080()4M()3	MJ4 X 0,7 4H6H	28,4	17,8	19,3	5,0	23,4	7,0	3,0	4,1	3,6
CB6080()5M()3	MJ5 X 0,8 4H6H	28,4	17,8	19,3	6,0	23,4	8,0	3,0	5,1	3,6
CB6080()5M()4				20,9			8,0	4,0		
CB6080()5M()6				22,5			10,0	6,0		
CB6080()5M()8				24,1			12,0	8,0		
CB6080()5M()10				25,7			14,0	10,0		
CB6080()6M()3	MJ6 X 1,0 4H5H	31,0	21,5	20,7	7,0	27,2	9,0	3,0	6,1	3,6
CB6080()6M()4				22,3			9,0	4,0		
CB6080()6M()6				23,9			11,0	6,0		
CB6080()6M()8				25,5			13,0	8,0		
CB6080()6M()10				27,1			15,0	10,0		
CB6080()8M()3	MJ8 X 1,0 4H5H	33,6	23,6	23,1	9,0	29,8	11,0	3,0	8,1	3,7
CB6080()8M()4				24,7			11,0	4,0		
CB6080()8M()6				26,3			13,0	6,0		
CB6080()8M()8				27,9			15,0	8,0		
CB6080()8M()10				29,5			17,0	10,0		

UNLESS OTHERWISE SPECIFIED, ALL DIMENSIONS ARE IN MILLIMETERS AND TOLERANCES ARE AS SHOWN BELOW. DIMENSIONAL TOLERANCES AND SYMBOLS PER ANSI Y14.5M-1982.

CAD CB6080-3
 METRIC DIMENSIONS

ANGLES	±1°
.X	±0,8
.XX	±0,25

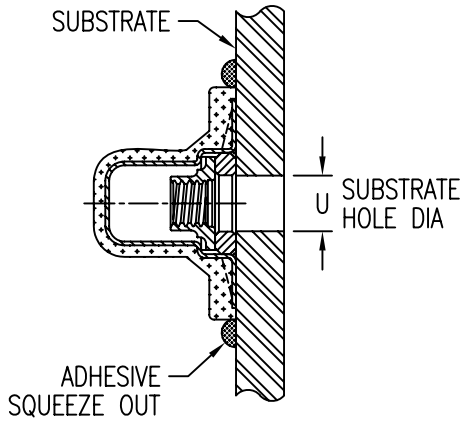
PROPRIETARY PARTS SHOWN IN THIS DRAWING ARE THE SUBJECT OF ISSUED UNITED STATES AND FOREIGN PATENTS AND PATENTS PENDING. UNAUTHORIZED REPRODUCTION AND/OR DISTRIBUTION OF THIS DRAWING IS SPECIFICALLY PROHIBITED.

APPROVALS	DATE
DRAWN <i>DAC</i>	9MAR07
CHECKED <i>DAC/mtm</i>	9MAR07
RELEASED <i>CGH</i>	9MAR07
REVISED <i>DAC</i>	9MAR07

CLICK BOND

CARSON CITY
 NEVADA 89706

TITLE NUTPLATE, SEALED, INSULATED			
SIZE A	CAGE CODE 66530	DWG. NO. CB6080 (METRIC)	REV. 3
SCALE 1/1	9MAR07	SHEET 3 OF 4	



INSTALLATION HOLE SIZE

THREAD CODE	U MAX
4M	5,0
5M	6,0
6M	7,0
8M	9,0

MATERIAL AND FINISH DATA

CODE	NUT MATERIAL	SPEC.	PASSIVATE	DRI-FILM LUBE
CR	A-286 CRES	AMS 5525, 5726, 5731, 5732, 5737	AMS 2700	AS5272 TYPE 1
ACR				

CODE	DOME MATERIAL	SPEC.	PASSIVATE
CR	A-286 CRES	AMS 5525, 5726, 5731, 5732, 5737	AMS 2700
ACR			

CODE	WASHER MATERIAL	SPEC.	FINISH	SPEC.
CR	A-286 CRES	AMS 5726, 5731, 5732, 5737	PASSIVATE	AMS 2700
ACR	2024 OR 6061 ALUMINUM	AMS-QQ-A-200 OR AMS-QQ-A-225	ANODIZE	MIL-A-8625

INSULATION MATERIAL

CODE	MATERIAL
P	PEEK
V	POLYETHERIMIDE
S	POLYSULFIDE

OPTIONAL BASEPLATE PRIMER

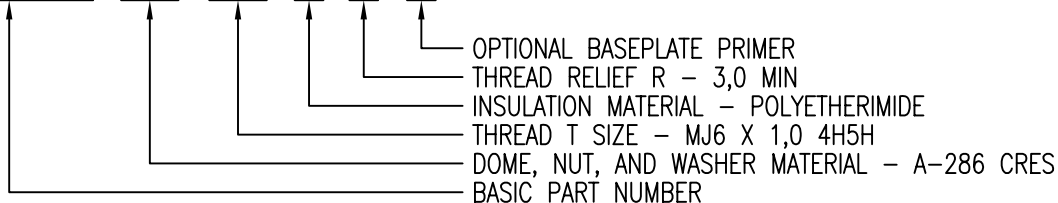
CODE	MATERIAL	SPEC.
P	MIL-PRF-85582	

ADDITIONAL REQUIREMENTS: PRESSURE TEST DOME TO .34 MPa.

"NL" SUFFIX TO PART NUMBER INDICATES NON-LOCKING NUT ELEMENT.

EXAMPLE PART NUMBER

CB6080 CR 6M V 3 P



UNLESS OTHERWISE SPECIFIED, ALL DIMENSIONS ARE IN MILLIMETERS AND TOLERANCES ARE AS SHOWN BELOW. DIMENSIONAL TOLERANCES AND SYMBOLS PER ANSI Y14.5M-1982.

PROPRIETARY PARTS SHOWN IN THIS DRAWING ARE THE SUBJECT OF ISSUED UNITED STATES AND FOREIGN PATENTS AND PATENTS PENDING. UNAUTHORIZED REPRODUCTION AND/OR DISTRIBUTION OF THIS DRAWING IS SPECIFICALLY PROHIBITED.

CLICK BOND

CARSON CITY
NEVADA 89706

CAD CB6080-4 METRIC DIMENSIONS	
ANGLES	±1°
.X	±0,8
.XX	±0,25

APPROVALS	DATE
DRAWN <i>DAC</i>	9MAR07
CHECKED <i>DAC/mtm</i>	9MAR07
RELEASED <i>CGH</i>	9MAR07
REVISED <i>DAC</i>	9MAR07

TITLE NUTPLATE, SEALED, INSULATED			
SIZE	CAGE CODE	DWG. NO.	REV.
A	66530	CB6080 (METRIC)	3
SCALE	1/1	9MAR07	SHEET 4 OF 4