

DEBURR AND BREAK ALL EDGES .005 - .015.  
 SURFACE TEXTURE 125 MICROINCHES Ra MAX.

GRIP LENGTH L SPECIFIED IN THOUSANDTHS OF AN INCH. MINIMUM LENGTH AVAILABLE AS PER TABLE.

MATERIAL AND FINISH DATA

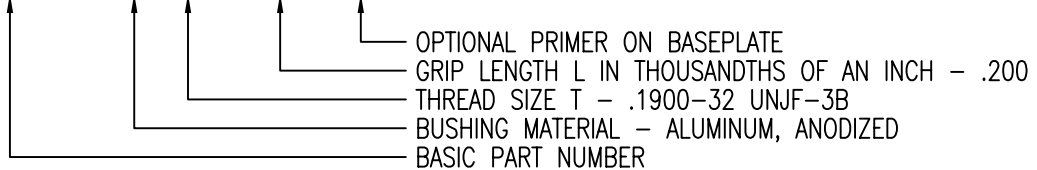
CODE	MATERIAL	SPEC.	FINISH	SPEC.
A	7075-T6 ALUMINUM	AMS 4122, QQ-A-225/9	ANODIZE	MIL-A-8625, TYPE 1, NO SEAL
CR	302, 303, 304 CRES OR A-286 CRES	AMS 5637, 5638, 5639, 5640, 5641 AMS 5726, 5731, 5732, 5734, 5737	PASSIVATE	AMS 2700
CRA	A-286 CRES	AMS 5726, 5731, 5732, 5734, 5737	PASSIVATE	AMS 2700
CRM	316 CRES	AMS 5648, 5649, 5653	PASSIVATE	AMS 2700
T	6AL-4V TITANIUM	AMS 4928, 4965, 4967	NONE	

THREAD AND DIMENSION DATA AND STRENGTH REQUIREMENTS - THREAD T PER AS8879

CODE	THREAD T	A DIA	B DIA	L MIN	H REF	J REF	K REF	TENSILE (LBS MIN)	
								ALUMINUM	STEEL
04	.1120-40 UNJC-3B	.250	.50	.060	1.42	.68	1.05	370	370
06	.1380-32 UNJC-3B	.250	.62	.100	1.42	.68	1.05	560	560
08	.1640-32 UNJC-3B	.250	.62	.100	1.42	.68	1.05	860	860
324	.1900-24 UNJC-3B	.312	.75	.100	1.42	.68	1.05	-	-
3	.1900-32 UNJF-3B	.312	.75	.100	1.42	.68	1.05	1230	1230
420	.2500-20 UNJC-3B	.375	1.00	.180	2.00	.90	1.05	-	-
4	.2500-28 UNJF-3B	.375	1.00	.180	2.00	.90	1.05	1140	2290

EXAMPLE PART NUMBER

CB5005 A 3-200 P



OPTIONAL PRIMER ON BASEPLATE

CODE	MATERIAL SPEC.
P	MIL-PRF-85582

UNLESS OTHERWISE SPECIFIED, ALL DIMENSIONS ARE IN INCHES AND TOLERANCES ARE AS SHOWN BELOW. DIMENSIONAL TOLERANCES AND SYMBOLS PER ANSI Y14.5M-1982.

PROPRIETARY PARTS SHOWN IN THIS DRAWING ARE THE SUBJECT OF ISSUED UNITED STATES AND FOREIGN PATENTS AND PATENTS PENDING. UNAUTHORIZED REPRODUCTION AND/OR DISTRIBUTION OF THIS DRAWING IS SPECIFICALLY PROHIBITED.

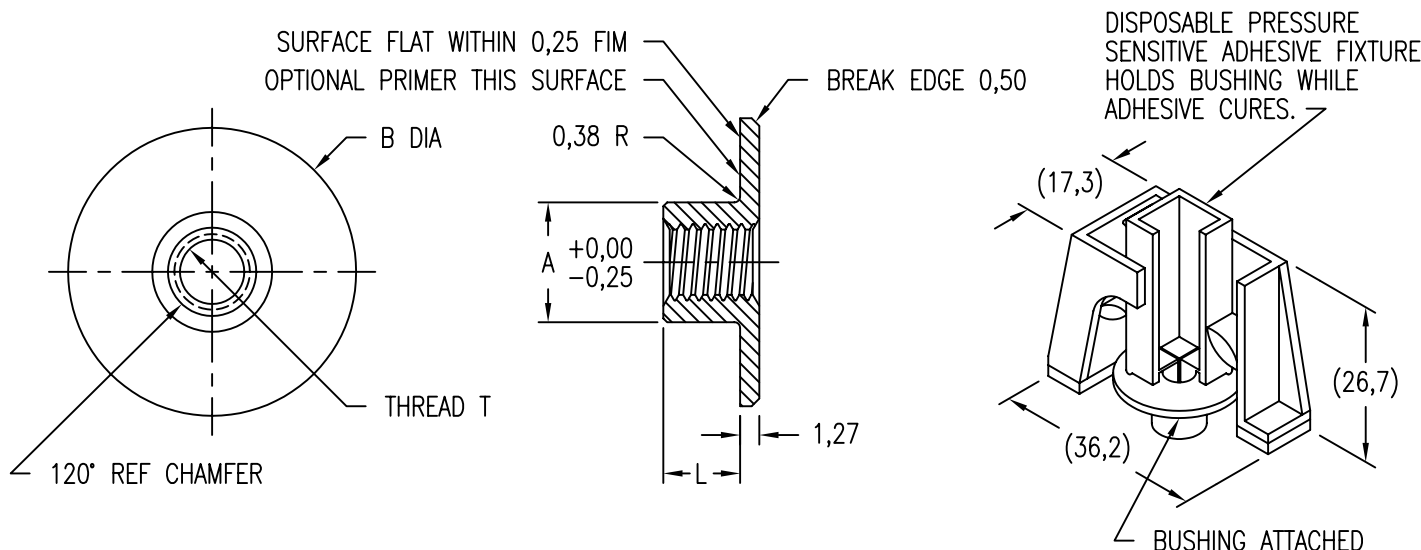


CARSON CITY NEVADA 89706

APPROVALS		DATE	TITLE			
DRAWN	DAC	30JUN05	BUSHING, THREADED, SMALL BASE			
CHECKED	DOC/mtm	30JUN05	SIZE	CAGE CODE	DWG. NO.	REV.
RELEASED	CGH	30JUN05	A	66530	CB5005	13
REVISED	DAC	30JUN05	SCALE	2/1	30JUN05	SHEET 1 OF 2

CAD CB5005-1

ANGLES	±1°
.XX	±.03
.XXX	±.010
.XXXX	±.001



DEBURR AND BREAK ALL EDGES 0,25.  
SURFACE TEXTURE 3,2 MICROMETERS MAX.

GRIP LENGTH L SPECIFIED IN MILLIMETERS.  
MINIMUM LENGTH AVAILABLE AS PER TABLE.

MATERIAL AND FINISH DATA

CODE	MATERIAL	SPEC.	FINISH	SPEC.
A	7075-T6 ALUMINUM	AMS 4122, QQ-A-225/9	ANODIZE	MIL-A-8625, TYPE 1, NO SEAL
CR	302, 303, 304 CRES OR A-286 CRES	AMS 5637, 5638, 5639, 5640, 5641 AMS 5726, 5731, 5732, 5734, 5737	PASSIVATE	AMS 2700
CRA	A-286 CRES	AMS 5726, 5731, 5732, 5734, 5737	PASSIVATE	AMS 2700
CRM	316 CRES	AMS 5648, 5649, 5653	PASSIVATE	AMS 2700
T	6AL-4V TITANIUM	AMS 4928, 4965, 4967	NONE	

THREAD AND DIMENSION DATA AND STRENGTH REQUIREMENTS - THREAD T PER ISO5855

CODE	THREAD T	A DIA	B DIA	L MIN	TENSILE (kN MIN)
3M	MJ3 X 0,5 4H6H	6,35	15,9	3	2,5
4M	MJ4 X 0,7 4H6H	6,35	15,9	3	3,8
5M	MJ5 X 0,8 4H6H	7,95	19,1	3	5,5

OPTIONAL BASEPLATE PRIMER

CODE	MATERIAL SPEC.
P	MIL-PRF-85582

EXAMPLE PART NUMBER

CB5005 A 5M 5M P

OPTIONAL PRIMER ON BASEPLATE  
GRIP LENGTH L IN MILLIMETERS - 5 MM  
THREAD SIZE T - MJ5 X 0,8 4H6H  
BUSHING MATERIAL - ALUMINUM, ANODIZED  
BASIC PART NUMBER

UNLESS OTHERWISE SPECIFIED, ALL DIMENSIONS ARE IN MILLIMETERS AND TOLERANCES ARE AS SHOWN BELOW. DIMENSIONAL TOLERANCES AND SYMBOLS PER ANSI Y14.5M-1982.

PROPRIETARY PARTS SHOWN IN THIS DRAWING ARE THE SUBJECT OF ISSUED UNITED STATES AND FOREIGN PATENTS AND PATENTS PENDING. UNAUTHORIZED REPRODUCTION AND/OR DISTRIBUTION OF THIS DRAWING IS SPECIFICALLY PROHIBITED.

**GLICK BOND**

CARSON CITY  
NEVADA 89706

CAD CB5005-2  
METRIC DIMENSIONS

APPROVALS	DATE
DRAWN <i>DAC</i>	30JUN05
CHECKED <i>DAC/John</i>	30JUN05
RELEASED <i>CGH</i>	30JUN05
REVISED <i>DAC</i>	30JUN05

TITLE			
BUSHING, THREADED, SMALL BASE			
SIZE	CAGE CODE	DWG. NO.	REV.
A	66530	CB5005 (METRIC)	13
SCALE	2/1	30JUN05	SHEET 2 OF 2

ANGLES	±1°
.X	±0,8
.XX	±0,25