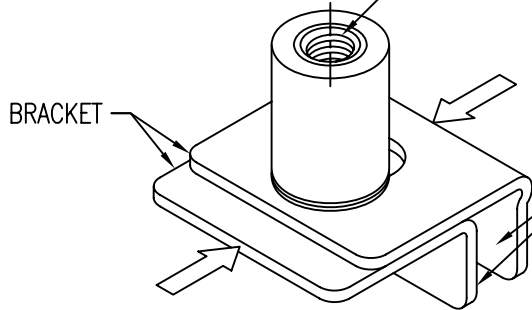


THREAD INSERT T
MS21209 OR NAS1130 INSERT.
DRI-FILM LUBE ON INSERT PER
AS5272 TY 1.
THREAD LOCK PER NASM25027.
STANDOFF ACCOMMODATES AS8879
UNJ THREAD SCREW.



- ① APPLY ADHESIVE TO THESE SURFACES WHILE BRACKET IS OPEN.
- ② PLACE BRACKET INTO POSITION AND SQUEEZE WITH FINGERS TO CLAMP BRACKET ONTO SUBSTRATE.
- ③ ALLOW ADHESIVE TO CURE AND INSTALL ATTACHMENTS USING A SCREW.

UNLESS OTHERWISE SPECIFIED, ALL DIMENSIONS ARE IN INCHES AND TOLERANCES ARE AS SHOWN BELOW. DIMENSIONAL TOLERANCES AND SYMBOLS PER ANSI Y14.5M-1982.

PROPRIETARY PARTS SHOWN IN THIS DRAWING ARE THE SUBJECT OF ISSUED UNITED STATES AND FOREIGN PATENTS AND PATENTS PENDING. UNAUTHORIZED REPRODUCTION AND/OR DISTRIBUTION OF THIS DRAWING IS SPECIFICALLY PROHIBITED.

CLICK BOND

CARSON CITY
NEVADA 89706

CAD CB4233-1

APPROVALS

DATE

TITLE

ANGLES ±1°

DRAWN RJT

6DEC07

STANDOFF, EDGE MOUNTED BRACKET, LOCKING THREAD

.XX ±.03

CHECKED *DOC/mtm*

6DEC07

SIZE

CAGE CODE

DWG. NO.

REV.

.XXX ±.010

RELEASED *CGH*

6DEC07

A

66530

CB4233

5

.XXXX ±.001

REVISED RJT

6DEC07

SCALE

2/1

6DEC07

SHEET 1 OF 4

LENGTH L DATA (LENGTH L IN SIXTEENTHS OF AN INCH)

CODE	8	9	10	11	12	13	14	15	16	18	20	22	24	32
L	.500	.562	.625	.687	.750	.812	.875	.937	1.000	1.125	1.250	1.375	1.500	2.000
D MIN	.400													
	.472													

STANDOFF MATERIAL AND FINISH DATA

CODE	MATERIAL	SPEC.	FINISH	SPEC.
AA	2024 ALUMINUM	AMS-QQ-A-200 OR AMS-QQ-A-225	ANODIZE	MIL-A-8625
CR	A-286 CRES	AMS 5525, 5726, 5731, 5732, 5734, OR 5737	PASSIVATE	AMS 2700
T	6AL-4V TITANIUM	AMS 4928, 4965, OR 4967	NONE	

BRACKET MATERIAL DATA

CODE	MATERIAL
E	GLASS/EPOXY, 350°F CURE
G	GLASS/EPOXY, 250°F CURE

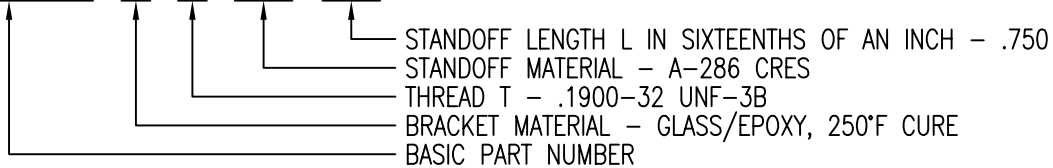
THREAD T DATA

CODE	THREAD SIZE
06	.1380-32 UNC-3B
08	.1640-32 UNC-3B
3	.1900-32 UNF-3B

BUSHING MATERIAL: GLASS/PEEK

EXAMPLE PART NUMBER

CB4233 G 3 CR 12



UNLESS OTHERWISE SPECIFIED, ALL DIMENSIONS ARE IN INCHES AND TOLERANCES ARE AS SHOWN BELOW. DIMENSIONAL TOLERANCES AND SYMBOLS PER ANSI Y14.5M-1982.

PROPRIETARY PARTS SHOWN IN THIS DRAWING ARE THE SUBJECT OF ISSUED UNITED STATES AND FOREIGN PATENTS AND PATENTS PENDING. UNAUTHORIZED REPRODUCTION AND/OR DISTRIBUTION OF THIS DRAWING IS SPECIFICALLY PROHIBITED.

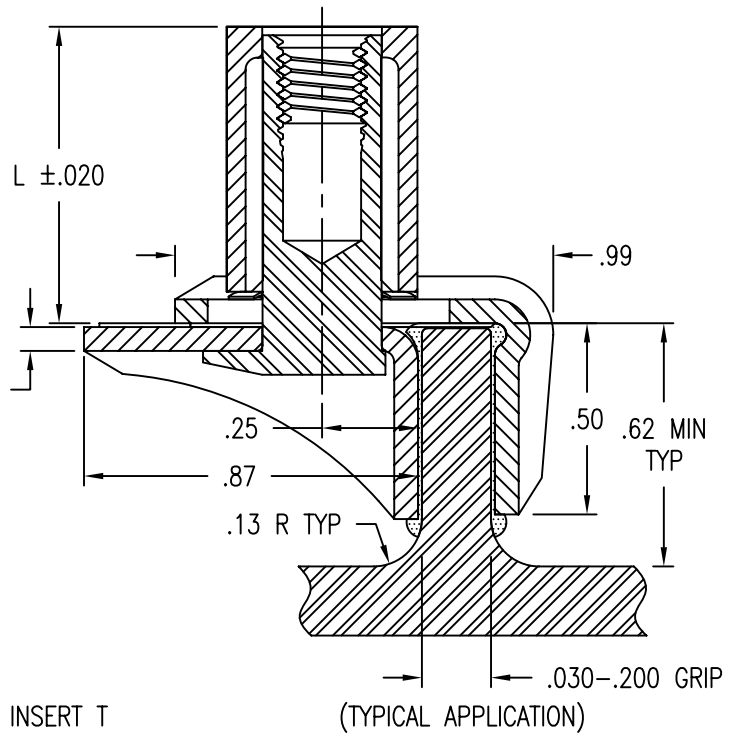
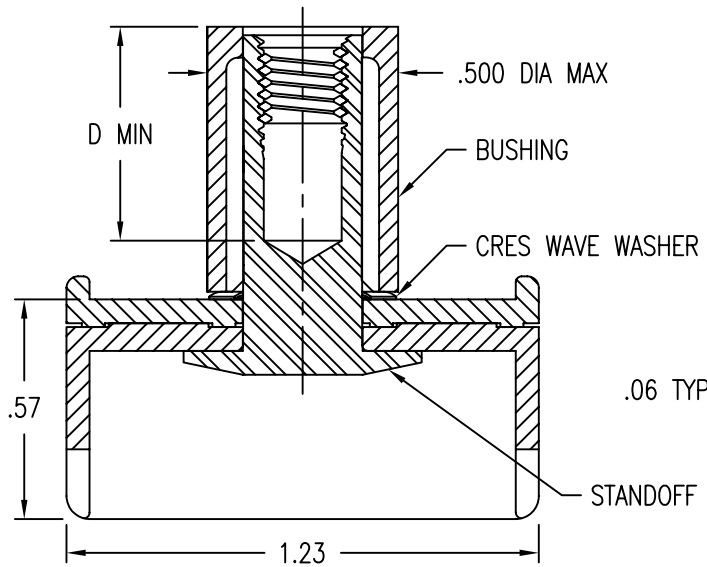


CARSON CITY
NEVADA 89706

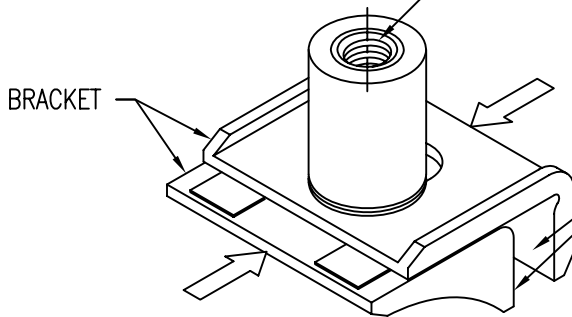
CAD CB4233-2

APPROVALS	DATE
DRAWN RJT	6DEC07
CHECKED <i>[Signature]</i>	6DEC07
RELEASED CGH	6DEC07
REVISED RJT	6DEC07

TITLE STANDOFF, EDGE MOUNTED BRACKET, LOCKING THREAD			
SIZE A	CAGE CODE 66530	DWG. NO. CB4233	REV. 5
SCALE 2/1	6DEC07		SHEET 2 OF 4



THREAD INSERT T
 MS21209 OR NAS1130 INSERT.
 DRI-FILM LUBE ON INSERT PER
 AS5272 TY 1.
 THREAD LOCK PER NASM25027.
 STANDOFF ACCOMMODATES AS8879
 UNJ THREAD SCREW.



- ① APPLY ADHESIVE TO THESE SURFACES WHILE BRACKET IS OPEN.
- ② PLACE BRACKET INTO POSITION AND SQUEEZE WITH FINGERS TO CLAMP BRACKET ONTO SUBSTRATE.
- ③ ALLOW ADHESIVE TO CURE AND INSTALL ATTACHMENTS USING A SCREW.

UNLESS OTHERWISE SPECIFIED, ALL DIMENSIONS ARE IN INCHES AND TOLERANCES ARE AS SHOWN BELOW. DIMENSIONAL TOLERANCES AND SYMBOLS PER ANSI Y14.5M-1982.

PROPRIETARY PARTS SHOWN IN THIS DRAWING ARE THE SUBJECT OF ISSUED UNITED STATES AND FOREIGN PATENTS AND PATENTS PENDING. UNAUTHORIZED REPRODUCTION AND/OR DISTRIBUTION OF THIS DRAWING IS SPECIFICALLY PROHIBITED.

CLICK BOND

CARSON CITY
 NEVADA 89706

CAD CB4233-3

APPROVALS

DATE

TITLE

ANGLES ±1°

DRAWN RJT

6DEC07

STANDOFF, EDGE MOUNTED BRACKET, LOCKING THREAD

.XX ±.03

CHECKED *DOC/mtm*

6DEC07

SIZE A CAGE CODE 66530 DWG. NO. CB4233 REV. 5

.XXX ±.010

RELEASED CGH

6DEC07

SCALE 2/1 6DEC07 SHEET 3 OF 4

.XXXX ±.001

REVISED RJT

6DEC07

LENGTH L DATA (LENGTH L IN SIXTEENTHS OF AN INCH)

CODE	8	9	10	11	12	13	14	15	16	18	20	22	24	32
L	.500	.562	.625	.687	.750	.812	.875	.937	1.000	1.125	1.250	1.375	1.500	2.000
D MIN	.400 .472													

STANDOFF MATERIAL AND FINISH DATA

CODE	MATERIAL	SPEC.	FINISH	SPEC.
AA	2024 ALUMINUM	AMS-QQ-A-200 OR AMS-QQ-A-225	ANODIZE	MIL-A-8625
CR	A-286 CRES	AMS 5525, 5726, 5731, 5732, 5734, OR 5737	PASSIVATE	AMS 2700
T	6AL-4V TITANIUM	AMS 4928, 4965, OR 4967	NONE	

BRACKET MATERIAL DATA

CODE	MATERIAL
P	GLASS/PEEK
PC	CARBON/PEEK
U	GLASS/PEI, 30% GLASS
V	GLASS/PEI, 40% GLASS

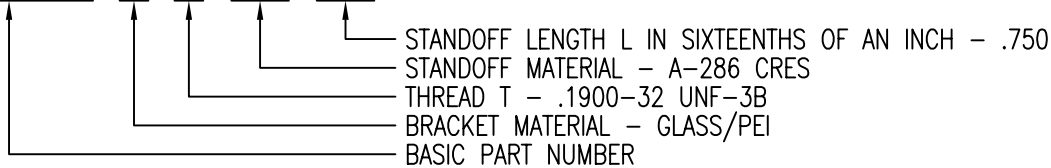
THREAD T DATA

CODE	THREAD SIZE
06	.1380-32 UNC-3B
08	.1640-32 UNC-3B
3	.1900-32 UNF-3B

BUSHING MATERIAL: GLASS/PEEK

EXAMPLE PART NUMBER

CB4233 V 3 CR 12



UNLESS OTHERWISE SPECIFIED, ALL DIMENSIONS ARE IN INCHES AND TOLERANCES ARE AS SHOWN BELOW. DIMENSIONAL TOLERANCES AND SYMBOLS PER ANSI Y14.5M-1982.

PROPRIETARY PARTS SHOWN IN THIS DRAWING ARE THE SUBJECT OF ISSUED UNITED STATES AND FOREIGN PATENTS AND PATENTS PENDING. UNAUTHORIZED REPRODUCTION AND/OR DISTRIBUTION OF THIS DRAWING IS SPECIFICALLY PROHIBITED.



CARSON CITY
NEVADA 89706

CAD CB4233-4

APPROVALS	DATE
DRAWN RJT	6DEC07
CHECKED <i>[Signature]</i>	6DEC07
RELEASED CGH	6DEC07
REVISED RJT	6DEC07

TITLE			
STANDOFF, EDGE MOUNTED BRACKET, LOCKING THREAD			
SIZE	CAGE CODE	DWG. NO.	REV.
A	66530	CB4233	5
SCALE	2/1 6DEC07		SHEET 4 OF 4