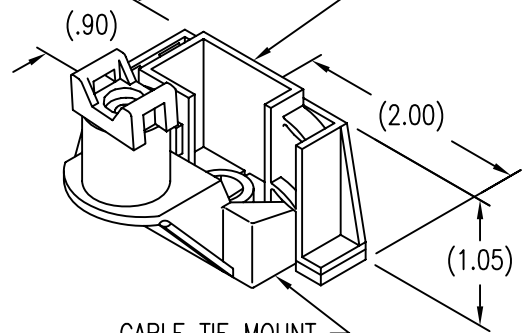
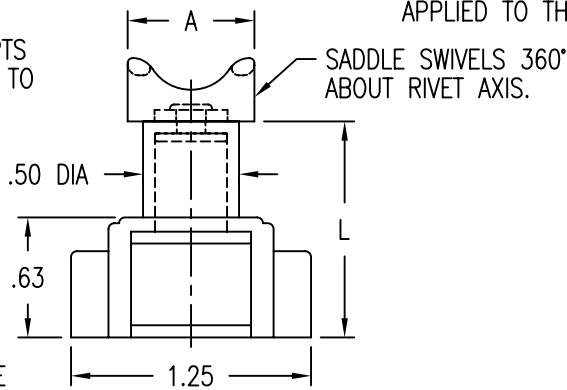
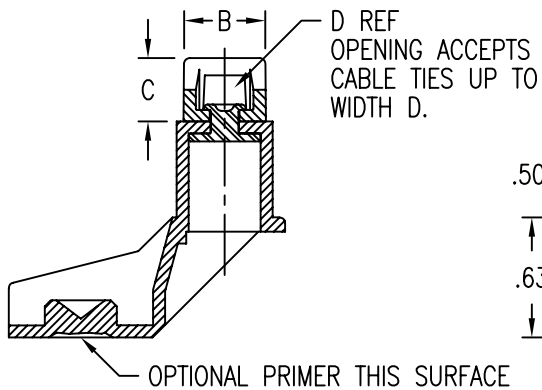


DISPOSABLE PRESSURE SENSITIVE ADHESIVE FIXTURE HOLDS CABLE TIE MOUNT WHILE ADHESIVE CURES.



CABLE TIE MOUNT ATTACHED BY ADHESIVE APPLIED TO THIS SURFACE.



SADDLE MATERIAL AND FINISH DATA

| CODE | MATERIAL | SPEC. | COLOR |
|------|--------------------------|---------------------|---------|
| N | NYLON, NATURAL | ASTM D4066 OR EQUAL | NATURAL |
| NB | NYLON, BLACK, STABILIZED | ASTM D4066 OR EQUAL | BLACK |
| P | PEEK | NONE | NATURAL |
| T | FLUOROPOLYMER | TEFZEL | BLUE |
| V | POLYETHERIMIDE | ULTEM 1000 OR EQUAL | NATURAL |
| VC | CARBON/PEI | ASTM D5205 | NATURAL |

DIMENSION DATA

| SIZE CODE | MAX TIE WIDTH D REF | SADDLE DIMENSIONS | | |
|-----------|---------------------|-------------------|-----|-----|
| | | A | B | C |
| 2 | .100 | .56 | .34 | .27 |
| 3 | .190 | .67 | .44 | .33 |
| 5 | .350 | .92 | .56 | .42 |

BASEPLATE MATERIAL

| CODE | MATERIAL | FINISH |
|------|-----------|----------------|
| V | GLASS/PEI | ABRASIVE CLEAN |

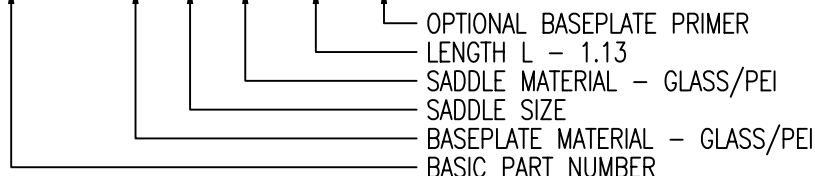
RIVET MATERIAL: 300 SERIES OR A-286 CRES.
 RIVET FINISH: PASSIVATE PER AMS 2700.
 MANUFACTURER'S OPTION: 300 SERIES CRES TRIM WASHER UNDER RIVET HEAD.

LENGTH DATA

| CODE | L | WEIGHT (LB/100) |
|------|------|-----------------|
| 10 | .63 | |
| 18 | 1.13 | |
| 22 | 1.38 | |
| 24 | 1.50 | |
| 28 | 1.75 | |
| 32 | 2.00 | |
| 34 | 2.13 | |

EXAMPLE PART NUMBER

CB4013 V 3 V 18 P



OPTIONAL PRIMER

| CODE | MATERIAL SPEC. |
|------|----------------|
| P | MIL-PRF-85582 |

UNLESS OTHERWISE SPECIFIED, ALL DIMENSIONS ARE IN INCHES AND TOLERANCES ARE AS SHOWN BELOW. DIMENSIONAL TOLERANCES AND SYMBOLS PER ANSI Y14.5M-1982.

PROPRIETARY PARTS SHOWN IN THIS DRAWING ARE THE SUBJECT OF ISSUED UNITED STATES AND FOREIGN PATENTS AND PATENTS PENDING. UNAUTHORIZED REPRODUCTION AND/OR DISTRIBUTION OF THIS DRAWING IS SPECIFICALLY PROHIBITED.

CLICK BOND

CARSON CITY
NEVADA 89706

| ANGLES | ±1° | APPROVALS | | DATE |
|--------|-------|-----------|---------|---|
| | | DRAWN | DATE | TITLE |
| .XX | ±.03 | DAC | 15DEC06 | MOUNT, CABLE TIE, OFFSET STANDOFF BASEPLATE |
| .XXX | ±.010 | DAC | 15DEC06 | SIZE |
| .XXXX | ±.001 | DAC | 15DEC06 | CAGE CODE |

| SIZE | CAGE CODE | DWG. NO. | REV. |
|-------|-----------|----------|--------------|
| A | 66530 | CB4013 | 1 |
| SCALE | 1/1 | 15DEC06 | SHEET 1 OF 1 |