

SURFACE TEXTURE: ROOT RADIUS AND THREAD FLANKS 32 MICROINCHES. OTHER SURFACES 125 MICROINCHES. GRIT BLASTED SURFACES 125 TO 250 MICROINCHES.

STUD STRAIGHT WITHIN .004 INCH PER INCH OF LENGTH. PITCH DIA CONCENTRIC WITH BASE O.D. WITHIN .020 FIM. PITCH DIA PERPENDICULAR TO BASE WITHIN ±1 DEG.

STUD ATTACHED BY ADHESIVE APPLIED TO THIS SURFACE. FOR OPTIONAL ROUND FIXTURE ADD SUFFIX R TO PART NUMBER

LENGTH L DATA (LENGTH L IN SIXTEENTHS OF AN INCH)

CODE	4	6	8	10	12	14	16	18	20	22	24	26	28	30	32
L	.250	.375	.500	.625	.750	.875	1.000	1.125	1.250	1.375	1.500	1.625	1.750	1.875	2.000

STUD MATERIAL AND FINISH DATA

CODE	MATERIAL	SPEC.	FINISH	SPEC.
A	2024 OR 7075	AMS-QQ-A-200, AMS-QQ-A-225, AMS-QQ-A-250	NONE	
AA	ALUMINUM		ANODIZE	MIL-A-8625
CR	302, 303, 304 OR A-286 CRES	AMS 5513, 5516, 5636, 5637, 5638, 5639, 5640, 5641, 5647 AMS 5525, 5726, 5731, 5732, 5734, 5737 (CHEMISTRY ONLY)	PASSIVATE	AMS 2700
CRA	A-286 CRES	AMS 5525, 5726, 5731, 5732, 5734, 5737 (CHEMISTRY ONLY)	PASSIVATE	AMS 2700
T	6AL-4V TITANIUM	AMS 4911, 4928, 4965, OR 4967	NONE	

THREAD T DATA

CODE	THREAD SIZE	TD DIA
06	.1380-32 UNJC-3A	.1315-.1340
08	.1640-32 UNJC-3A	.1570-.1595
3	.1900-32 UNJF-3A	.1810-.1840
4	.2500-28 UNJF-3A	.2410-.2440
5	.3125-24 UNJF-3A	.3020-.3060

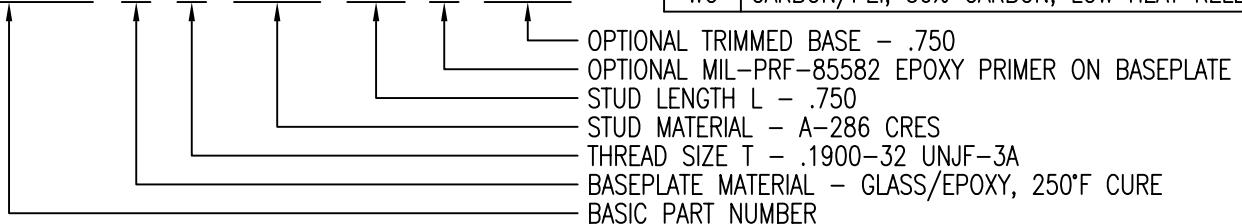
BASEPLATE MATERIAL

CODE	MATERIAL
C	CARBON/EPOXY, 350°F CURE
E	GLASS/EPOXY, 350°F CURE
G	GLASS/EPOXY, 250°F CURE
U	GLASS/PEI, 30% GLASS
UC	CARBON/PEI, 30% CARBON
V	GLASS/PEI, 40% GLASS
VC	CARBON/PEI, 40% CARBON
W	GLASS/PEI, 30% GLASS, LOW HEAT RELEASE
WC	CARBON/PEI, 30% CARBON, LOW HEAT RELEASE

MANUFACTURER'S OPTION: REDUCED MAJOR DIA TD

EXAMPLE PART NUMBER

CB4000 G 3 CRA 12 P 750



OPTIONAL TRIMMED BASE - .750
 OPTIONAL MIL-PRF-85582 EPOXY PRIMER ON BASEPLATE
 STUD LENGTH L - .750
 STUD MATERIAL - A-286 CRES
 THREAD SIZE T - .1900-32 UNJF-3A
 BASEPLATE MATERIAL - GLASS/EPOXY, 250°F CURE
 BASIC PART NUMBER

UNLESS OTHERWISE SPECIFIED, ALL DIMENSIONS ARE IN INCHES AND TOLERANCES ARE AS SHOWN BELOW. DIMENSIONAL TOLERANCES AND SYMBOLS PER ANSI Y14.5M-1982.

PROPRIETARY PARTS SHOWN IN THIS DRAWING ARE THE SUBJECT OF ISSUED UNITED STATES AND FOREIGN PATENTS AND PATENTS PENDING. UNAUTHORIZED REPRODUCTION AND/OR DISTRIBUTION OF THIS DRAWING IS SPECIFICALLY PROHIBITED.

CLICK BOND

CARSON CITY
NEVADA 89706

CAD CB4000-1

APPROVALS DATE

TITLE

ANGLES ±1°

DRAWN *DAC* 23MAY06

STUD, COMPOSITE BASE, ADHESIVE BONDED

.XX ±.03

CHECKED *DAC/mtm* 23MAY06

SIZE A CAGE CODE 66530 DWG. NO. CB4000 REV. 18

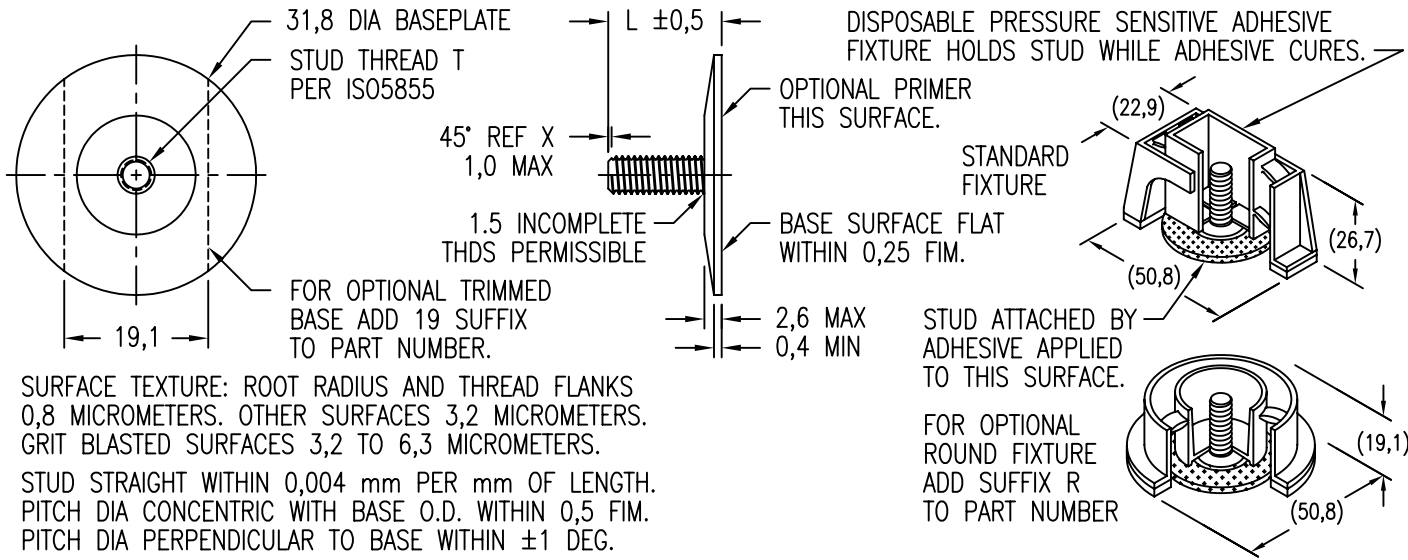
.XXX ±.010

RELEASED *DAC/mtm* 23MAY06

SCALE 1/1 23MAY06 SHEET 1 OF 2

.XXXX ±.001

REVISED *DAC* 23MAY06



STUD MATERIAL AND FINISH DATA

CODE	MATERIAL	SPEC.	FINISH	SPEC.
A	2024 OR 7075	AMS-QQ-A-200, AMS-QQ-A-225, AMS-QQ-A-250	NONE	
AA	ALUMINUM		ANODIZE	MIL-A-8625
CR	302, 303, 304 OR A-286 CRES	AMS 5513, 5516, 5636, 5637, 5638, 5639, 5640, 5641, 5647 AMS 5525, 5726, 5731, 5732, 5734, 5737 (CHEMISTRY ONLY)	PASSIVATE	AMS 2700
CRA	A-286 CRES	AMS 5525, 5726, 5731, 5732, 5734, 5737 (CHEMISTRY ONLY)	PASSIVATE	AMS 2700
T	6AL-4V TITANIUM	AMS 4911, 4928, 4965, OR 4967	NONE	

LENGTH L DATA (LENGTH L IN MILLIMETERS)

CODE	6M	8M	10M	12M	15M	20M	25M	30M	35M
L	6	8	10	12	15	20	25	30	35

BASEPLATE MATERIAL

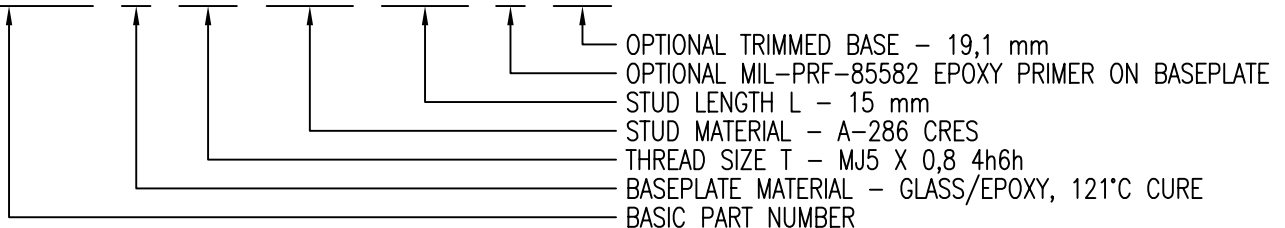
CODE	MATERIAL
C	CARBON/EPOXY, 177°C CURE
E	GLASS/EPOXY, 177°C CURE
G	GLASS/EPOXY, 121°C CURE
U	GLASS/PEI, 30% GLASS
UC	CARBON/PEI, 30% CARBON
V	GLASS/PEI, 40% GLASS
VC	CARBON/PEI, 40% CARBON
W	GLASS/PEI, 30% GLASS, LOW HEAT RELEASE
WC	CARBON/PEI, 30% CARBON, LOW HEAT RELEASE

THREAD T DATA

CODE	THREAD SIZE
3M	MJ3 X 0,5 4h6h
4M	MJ4 X 0,7 4h6h
5M	MJ5 X 0,8 4h6h
6M	MJ6 X 1,0 4h6h
8M	MJ8 X 1,0 4h6h

EXAMPLE PART NUMBER

CB4000 G 5M CRA 15M P 19



UNLESS OTHERWISE SPECIFIED, ALL DIMENSIONS ARE IN MILLIMETERS AND TOLERANCES ARE AS SHOWN BELOW. DIMENSIONAL TOLERANCES AND SYMBOLS PER ANSI Y14.5M-1982.

PROPRIETARY PARTS SHOWN IN THIS DRAWING ARE THE SUBJECT OF ISSUED UNITED STATES AND FOREIGN PATENTS AND PATENTS PENDING. UNAUTHORIZED REPRODUCTION AND/OR DISTRIBUTION OF THIS DRAWING IS SPECIFICALLY PROHIBITED.

CLICK BOND

CARSON CITY
NEVADA 89706

CAD CB4000-2
METRIC DIMENSIONS

ANGLES	±1°
.X	±0,8
.XX	±0,25

APPROVALS	DATE
DRAWN <i>DAC</i>	23MAY06
CHECKED <i>DAC</i>	23MAY06
RELEASED <i>DAC</i>	23MAY06
REVISED <i>DAC</i>	23MAY06

TITLE			
STUD, COMPOSITE BASE, ADHESIVE BONDED			
SIZE	CAGE CODE	DWG. NO.	REV.
A	66530	CB4000 (METRIC)	18
SCALE	1/1	23MAY06	SHEET 2 OF 2