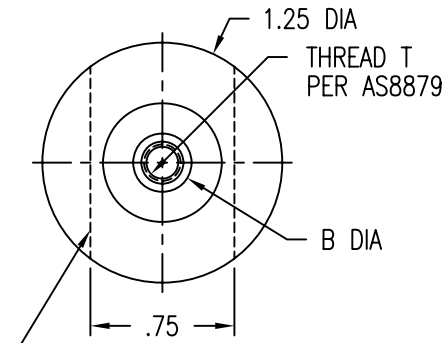
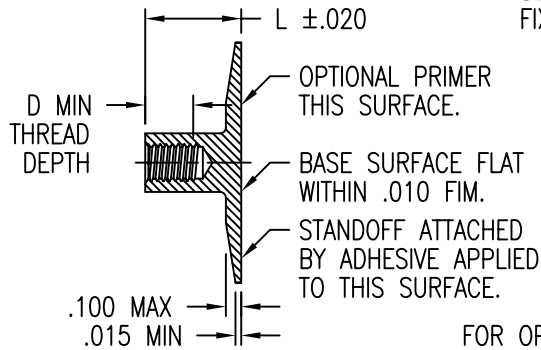


STANDOFF STRAIGHT WITHIN .004 INCH PER INCH OF LENGTH.  
 PITCH DIA CONCENTRIC WITH BASE O.D. WITHIN .020 FIM.  
 PITCH DIA PERPENDICULAR TO BASE WITHIN ±1 DEG.

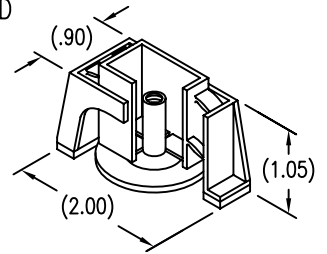
DISPOSABLE PRESSURE SENSITIVE ADHESIVE FIXTURE  
 HOLDS STANDOFF WHILE ADHESIVE CURES.



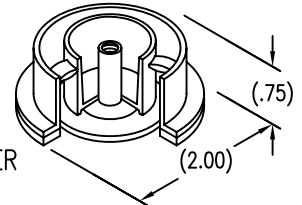
FOR OPTIONAL TRIMMED  
 BASE ADD 750 SUFFIX  
 TO PART NUMBER.



STANDARD  
 FIXTURE



FOR OPTIONAL  
 ROUND FIXTURE  
 ADD SUFFIX R  
 TO PART NUMBER



LENGTH L DATA (LENGTH L IN SIXTEENTHS OF AN INCH)

CODE	6	7	8	9	10	11	12	13	14	15	16	17	18	20	22	24
L	.375	.437	.500	.562	.625	.687	.750	.812	.875	.937	1.000	1.062	1.125	1.250	1.375	1.500
D MIN	.187			.250			.312									

STANDOFF MATERIAL AND FINISH DATA

CODE	MATERIAL	SPEC.	FINISH	SPEC.
A	2024 OR 6061	AMS-QQ-A-200, AMS-QQ-A-225, AMS-QQ-A-250	NONE	
AA	ALUMINUM		ANODIZE	MIL-A-8625
CR	302, 303, 304 OR A-286 CRES	AMS 5513, 5516, 5636, 5637, 5638, 5639, 5640, 5641, 5647 AMS 5525, 5726, 5731, 5732, 5734, 5737 (CHEMISTRY ONLY)	PASSIVATE	AMS 2700
CRA	A-286 CRES	AMS 5525, 5726, 5731, 5732, 5734, 5737 (CHEMISTRY ONLY)	PASSIVATE	AMS 2700
T	6AL-4V TITANIUM	AMS 4911, 4928, 4965, OR 4967	NONE	

THREAD T DATA AND DIMENSIONS

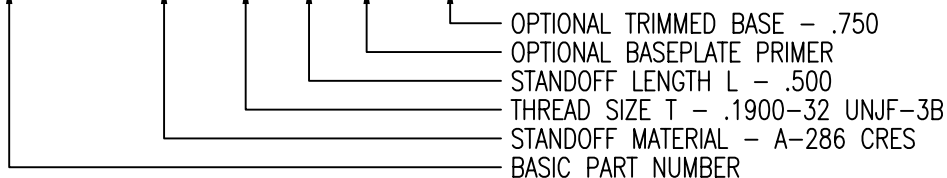
CODE	THREAD SIZE	B DIA
06	.1380-32 UNJC-3B	.28
08	.1640-32 UNJC-3B	.31
3	.1900-32 UNJF-3B	.31

OPTIONAL BASEPLATE PRIMER

CODE	MATERIAL SPEC.
P	MIL-PRF-85582

EXAMPLE PART NUMBER

CB3004 CRA 3-8 P 750



UNLESS OTHERWISE SPECIFIED, ALL DIMENSIONS ARE  
 IN INCHES AND TOLERANCES ARE AS SHOWN BELOW.  
 DIMENSIONAL TOLERANCES AND SYMBOLS PER ANSI  
 Y14.5M-1982.

PROPRIETARY PARTS SHOWN IN THIS DRAWING ARE THE SUBJECT  
 OF ISSUED UNITED STATES AND FOREIGN PATENTS AND PATENTS  
 PENDING. UNAUTHORIZED REPRODUCTION AND/OR DISTRIBUTION OF THIS  
 DRAWING IS SPECIFICALLY PROHIBITED.

**CLICK BOND**

CARSON CITY  
 NEVADA 89706

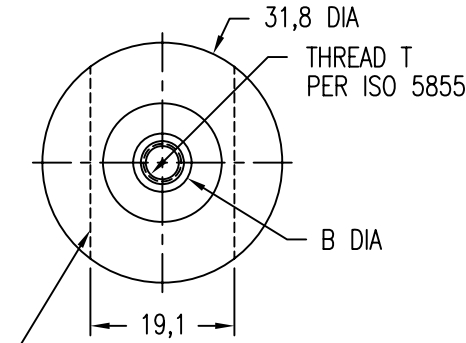
CAD CB3004-1

APPROVALS	DATE
DRAWN <i>DAC</i>	3MAR08
CHECKED <i>DAC/mtm</i>	3MAR08
RELEASED <i>CGH</i>	3MAR08
REVISED <i>DAC</i>	3MAR08

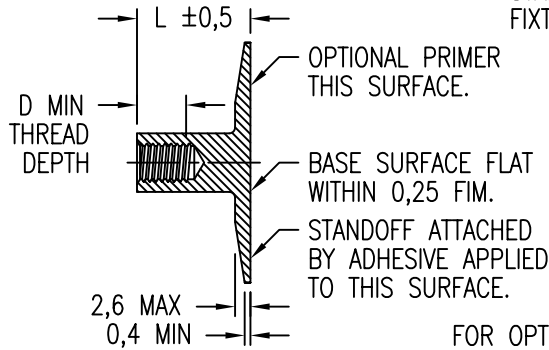
TITLE			
STANDOFF, THREADED, ADHESIVE BONDED			
SIZE	CAGE CODE	DWG. NO.	REV.
A	66530	CB3004	18
SCALE	1/1	3MAR08	SHEET 1 OF 2

STANDOFF STRAIGHT WITHIN 0,004 mm PER mm OF LENGTH.  
 PITCH DIA CONCENTRIC WITH BASE O.D. WITHIN 0,5 FIM.  
 PITCH DIA PERPENDICULAR TO BASE WITHIN ±1 DEG.

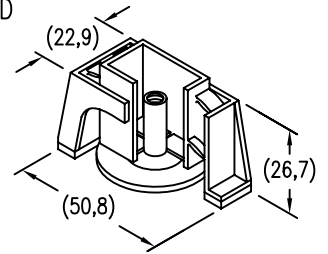
DISPOSABLE PRESSURE SENSITIVE ADHESIVE FIXTURE  
 HOLDS STANDOFF WHILE ADHESIVE CURES.



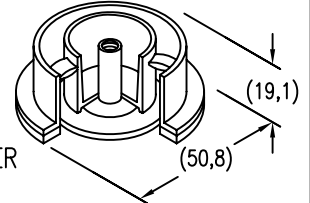
FOR OPTIONAL TRIMMED  
 BASE ADD 19 SUFFIX  
 TO PART NUMBER.



STANDARD  
 FIXTURE



FOR OPTIONAL  
 ROUND FIXTURE  
 ADD SUFFIX R  
 TO PART NUMBER



LENGTH L DATA (LENGTH L IN MILLIMETERS)

CODE	10M	12M	15M	20M	25M	30M	35M
L	10	12	15	20	25	30	35
D MIN	5,0	6,5	9,5				

STANDOFF MATERIAL AND FINISH DATA

CODE	MATERIAL	SPEC.	FINISH	SPEC.
A	2024 OR 6061	AMS-QQ-A-200, AMS-QQ-A-225, AMS-QQ-A-250	NONE	
AA	ALUMINUM		ANODIZE	MIL-A-8625
CR	302, 303, 304 OR A-286 CRES	AMS 5513, 5516, 5636, 5637, 5638, 5639, 5640, 5641, 5647 AMS 5525, 5726, 5731, 5732, 5734, 5737 (CHEMISTRY ONLY)	PASSIVATE	AMS 2700
CRA	A-286 CRES	AMS 5525, 5726, 5731, 5732, 5734, 5737 (CHEMISTRY ONLY)	PASSIVATE	AMS 2700
T	6AL-4V TITANIUM	AMS 4911, 4928, 4965, OR 4967	NONE	

THREAD T DATA AND DIMENSIONS

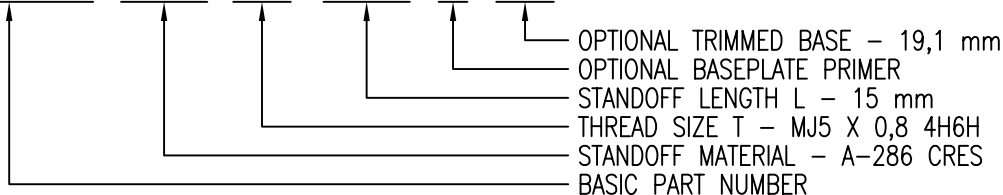
CODE	THREAD SIZE	B DIA
3M	MJ3 X 0,5 4H6H	7,1
4M	MJ4 X 0,7 4H6H	7,9
5M	MJ5 X 0,8 4H6H	7,9
6M	MJ6 X 1,0 4H5H	9,0

OPTIONAL BASEPLATE PRIMER

CODE	MATERIAL SPEC.
P	MIL-PRF-85582

EXAMPLE PART NUMBER

CB3004 CRA 5M 15M P 19



UNLESS OTHERWISE SPECIFIED, ALL DIMENSIONS ARE  
 IN MILLIMETERS AND TOLERANCES ARE AS SHOWN  
 BELOW. DIMENSIONAL TOLERANCES AND SYMBOLS  
 PER ANSI Y14.5M-1982.

PROPRIETARY PARTS SHOWN IN THIS DRAWING ARE THE SUBJECT  
 OF ISSUED UNITED STATES AND FOREIGN PATENTS AND PATENTS  
 PENDING. UNAUTHORIZED REPRODUCTION AND/OR DISTRIBUTION OF THIS  
 DRAWING IS SPECIFICALLY PROHIBITED.

**CLICK BOND**

CARSON CITY  
 NEVADA 89706

CAD CB3004-2 METRIC DIMENSIONS	
ANGLES	±1°
.XX	±0,8
.XXX	±0,25

APPROVALS	DATE
DRAWN <i>DAC</i>	3MAR08
CHECKED <i>DAC</i>	3MAR08
RELEASED <i>CGH</i>	3MAR08
REVISED <i>DAC</i>	3MAR08

TITLE STANDOFF, THREADED, ADHESIVE BONDED			
SIZE	CAGE CODE	DWG. NO.	REV.
A	66530	CB3004 (METRIC)	18
SCALE	1/1 3MAR08		SHEET 2 OF 2