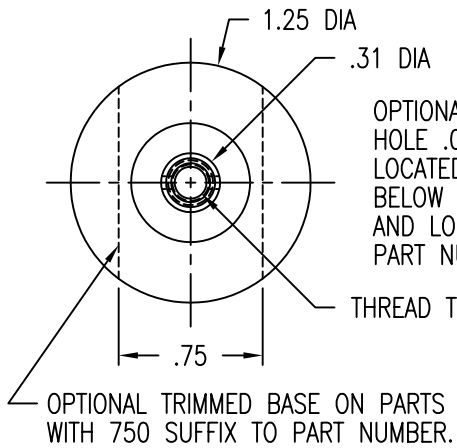
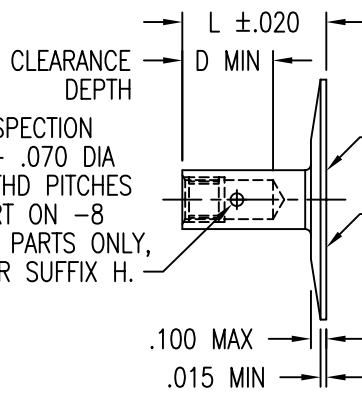


STANDOFF STRAIGHT WITHIN .004 INCH PER INCH OF LENGTH.
 PITCH DIAMETER CONCENTRIC WITH BASE O.D. WITHIN .020 FIM.
 PITCH DIAMETER PERPENDICULAR TO BASE WITHIN ±1 DEG.

DISPOSABLE PRESSURE SENSITIVE ADHESIVE
 FIXTURE HOLDS STANDOFF WHILE ADHESIVE CURES.



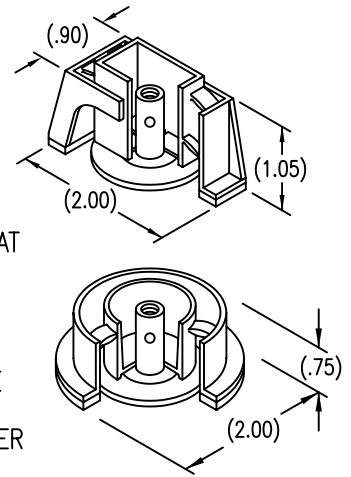
OPTIONAL INSPECTION HOLE .062 - .070 DIA LOCATED 2 THD PITCHES BELOW INSERT ON -8 AND LONGER PARTS ONLY, PART NUMBER SUFFIX H.



STANDARD FIXTURE

OPTIONAL PRIMER THIS SURFACE.
 BASE SURFACE FLAT WITHIN .010 FIM.

FOR OPTIONAL ROUND FIXTURE ADD SUFFIX R TO PART NUMBER



LENGTH L DATA (LENGTH L IN SIXTEENTHS OF AN INCH)

CODE	6	7	8	9	10	11	12	13	14	15	16	17	18	20	22	24
L	.375	.437	.500	.562	.625	.687	.750	.812	.875	.937	1.000	1.062	1.125	1.250	1.375	1.500
D MIN	.295		.400		.472											

STANDOFF MATERIAL AND FINISH DATA

CODE	STANDOFF MATERIAL	SPEC.	FINISH	SPEC.
A	2024 OR 6061	QQ-A-200, QQ-A-225, OR QQ-A-250	NONE	
AA	ALUMINUM		ANODIZE	MIL-A-8625
CR	302, 303, 304 CRES OR A-286 CRES	AMS 5513, 5516, 5636, 5637, 5638, 5639, 5640, 5641, OR 5647 AMS 5525, 5726, 5731, 5732, 5734, OR 5737 (CHEMISTRY ONLY)	PASSIVATE	QQ-P-35
CRA	A-286 CRES	AMS 5525, 5726, 5731, 5732, 5734, OR 5737 (CHEMISTRY ONLY)	PASSIVATE	QQ-P-35
T	6AL-4V TITANIUM	AMS 4911, 4928, 4965, OR 4967	NONE	

THREAD T DATA

CODE	THREAD SIZE
06	.1380-32 UNC-3B
08	.1640-32 UNC-3B
3	.1900-32 UNF-3B

OPTIONAL PRIMER

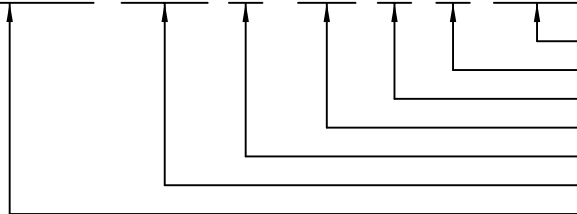
CODE	BASEPLATE PRIMER	SPEC.
P	EPOXY PRIMER	MIL-P-85582
W	FILM PRIMER	CBPS 211

THREAD T

MS21209 OR NAS1130 INSERT.
 INSERT INSTALLED PER MS33537.
 LUBE PER MIL-L-46010, TYPE 1.
 THREAD LOCK PER MIL-N-25027.
 ACCOMODATES MIL-S-8879 UNJ
 THREAD SCREW.

EXAMPLE PART NUMBER

CB3001 CRA 3-12 H P 750



OPTIONAL TRIMMED BASE - .750
 OPTIONAL PRIMER COATING ON BASEPLATE
 OPTIONAL INSPECTION HOLE
 STANDOFF LENGTH L - .750
 THREAD SIZE T - .1900-32 UNF-3B
 STANDOFF MATERIAL - A-286 CRES
 BASIC PART NUMBER

UNLESS OTHERWISE SPECIFIED, ALL DIMENSIONS ARE IN INCHES AND TOLERANCES ARE AS SHOWN BELOW. DIMENSIONAL TOLERANCES AND SYMBOLS PER ANSI Y14.5M-1982.

PROPRIETARY PARTS SHOWN IN THIS DRAWING ARE THE SUBJECT OF ISSUED UNITED STATES AND FOREIGN PATENTS AND PATENTS PENDING. UNAUTHORIZED REPRODUCTION AND/OR DISTRIBUTION OF THIS DRAWING IS SPECIFICALLY PROHIBITED.

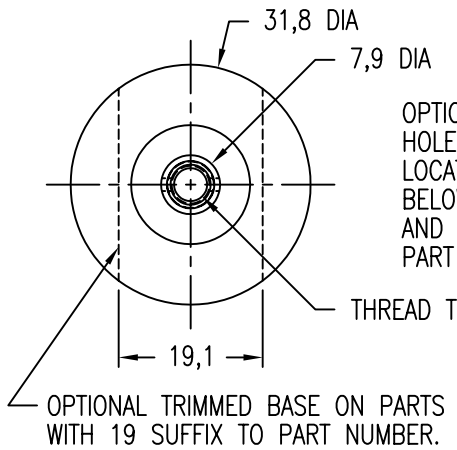


CARSON CITY
 NEVADA 89706

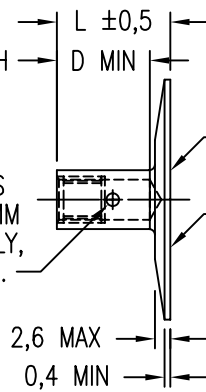
CAD CB3001-1		APPROVALS		DATE	TITLE			
ANGLES	±1°	DRAWN	DAC	24SEP99	STANDOFF, LOCKING THREAD, ADHESIVE BONDED			
.XX	±.03	CHECKED	DAC	24SEP99	SIZE	CAGE CODE	DWG. NO.	
.XXX	±.010	RELEASED	CGH	30CT99	A	66530	CB3001	
.XXXX	±.001	REVISED	DAC	24SEP99	SCALE	1/1	24SEP99	
							REV.	16
							SHEET	1 OF 2

STANDOFF STRAIGHT WITHIN 0,004 MM PER MM OF LENGTH.
 PITCH DIAMETER CONCENTRIC WITH BASE O.D. WITHIN 0,5 MM FIM.
 PITCH DIAMETER PERPENDICULAR TO BASE WITHIN ±1 DEG.

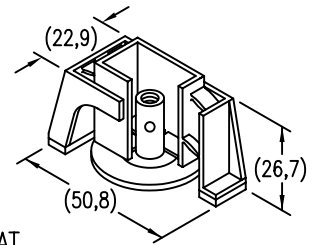
DISPOSABLE PRESSURE SENSITIVE ADHESIVE
 FIXTURE HOLDS STANDOFF WHILE ADHESIVE CURES.



OPTIONAL INSPECTION HOLE 1,5 - 1,8 DIA LOCATED 2 THD PITCHES BELOW INSERT ON 15 MM AND LONGER PARTS ONLY, PART NUMBER SUFFIX H.

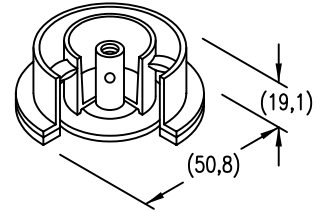


STANDARD FIXTURE



OPTIONAL PRIMER THIS SURFACE.
 BASE SURFACE FLAT WITHIN 0,25 FIM.

FOR OPTIONAL ROUND FIXTURE ADD SUFFIX R TO PART NUMBER



LENGTH L DATA (LENGTH L IN MILLIMETERS)

CODE	10M	12M	15M	20M	25M	30M	35M
L	10	12	15	20	25	30	35
D MIN	7,5		12,3				

STANDOFF MATERIAL AND FINISH DATA

CODE	STANDOFF MATERIAL	SPEC.	FINISH	SPEC.
A	2024 OR 6061	QQ-A-200, QQ-A-225, OR QQ-A-250	NONE	
AA	ALUMINUM		ANODIZE	MIL-A-8625
CR	302, 303, 304 CRES OR A-286 CRES	AMS 5513, 5516, 5636, 5637, 5638, 5639, 5640, 5641, OR 5647 AMS 5525, 5726, 5731, 5732, 5734, OR 5737 (CHEMISTRY ONLY)	PASSIVATE	QQ-P-35
CRA	A-286 CRES	AMS 5525, 5726, 5731, 5732, 5734, OR 5737 (CHEMISTRY ONLY)	PASSIVATE	QQ-P-35
T	6AL-4V TITANIUM	AMS 4911, 4928, 4965, OR 4967	NONE	

THREAD T DATA

CODE	THREAD SIZE
3M	M3 X 0,5 4H5H
4M	M4 X 0,7 4H5H
5M	M5 X 0,8 4H5H

OPTIONAL PRIMER

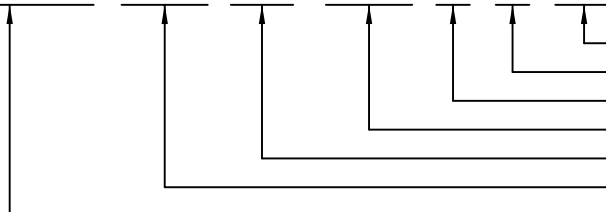
CODE	BASEPLATE PRIMER	SPEC.
P	EPOXY PRIMER	MIL-P-85582
W	FILM PRIMER	CBPS 211

THREAD T

MA3330 OR EQUIVALENT INSERT. INSERT INSTALLED PER MA1567. LUBE PER MIL-L-46010, TYPE 1. THREAD LOCK PER ISO 2320. ACCOMODATES ISO 5855 MJ THREAD SCREW.

EXAMPLE PART NUMBER

CB3001 CRA 5M 15M H P 19



OPTIONAL TRIMMED BASE - 19,1 MM
 OPTIONAL PRIMER COATING ON BASEPLATE
 OPTIONAL INSPECTION HOLE
 STANDOFF LENGTH L - 15 MM
 THREAD SIZE T - M5 X 0,8 4H5H
 STANDOFF MATERIAL - A-286 CRES
 BASIC PART NUMBER

UNLESS OTHERWISE SPECIFIED, ALL DIMENSIONS ARE IN MILLIMETERS AND TOLERANCES ARE AS SHOWN BELOW. DIMENSIONAL TOLERANCES AND SYMBOLS PER ANSI Y14.5M-1982.

PROPRIETARY PARTS SHOWN IN THIS DRAWING ARE THE SUBJECT OF ISSUED UNITED STATES AND FOREIGN PATENTS AND PATENTS PENDING. UNAUTHORIZED REPRODUCTION AND/OR DISTRIBUTION OF THIS DRAWING IS SPECIFICALLY PROHIBITED.

GLICK BOND

CARSON CITY
 NEVADA 89706

CAD CB3001-2 METRIC DIMENSIONS	
ANGLES	±1°
.X	±0,8
.XX	±0,25

APPROVALS		DATE
DRAWN	DAC	24SEP99
CHECKED	DAC	24SEP99
RELEASED	CGH	30CT99
REVISED	DAC	24SEP99

TITLE STANDOFF, LOCKING THREAD, ADHESIVE BONDED			
SIZE	CAGE CODE	DWG. NO.	REV.
A	66530	CB3001 (METRIC)	16
SCALE	1/1	24SEP99	SHEET 2 OF 2