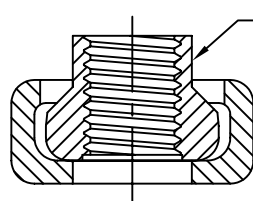
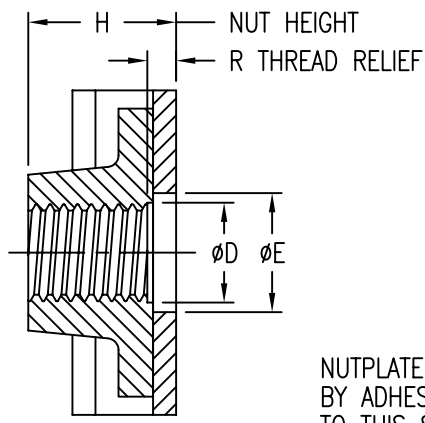


THREAD T PER AS8879. THREAD LOCK BY MODIFIED THREAD FORM.

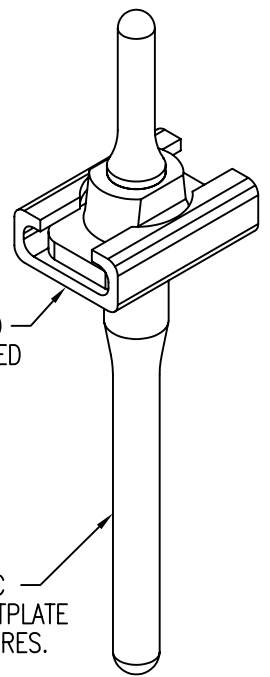
RADIAL FLOAT OF NUT .030 FROM CENTER.



NUT CAN BE REMOVED AND REPLACED BY SLIDING NUT FROM RETAINER.

NUTPLATE ATTACHED BY ADHESIVE APPLIED TO THIS SURFACE.

DISPOSABLE ELASTIC FIXTURE HOLDS NUTPLATE WHILE ADHESIVE CURES.



THREAD AND DIMENSION DATA

CODE	THREAD SIZE T	A MAX	B MAX	D MIN	E MIN	H MAX	R MIN
3	.1900-32 UNJF-3B	.750	.580	.195	.245	.365	.062
4	.2500-28 UNJF-3B	.850	.635	.255	.305	.400	.062

BASEPLATE MATERIAL DATA

CODE	MATERIAL	FINISH
V	POLYETHERIMIDE/GLASS	ABRASIVE CLEAN

NUT MATERIAL DATA

CODE	MATERIAL
V	POLYETHERIMIDE/GLASS

EXAMPLE PART NUMBER

CB1509 V 4

THREAD SIZE - .2500-28 UNJF-3B  
 NUT AND BASEPLATE MATERIAL - POLYETHERIMIDE/GLASS  
 BASIC PART NUMBER

UNLESS OTHERWISE SPECIFIED, ALL DIMENSIONS ARE IN INCHES AND TOLERANCES ARE AS SHOWN BELOW. DIMENSIONAL TOLERANCES AND SYMBOLS PER ANSI Y14.5M-1982.

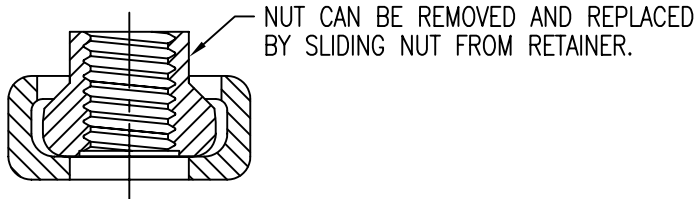
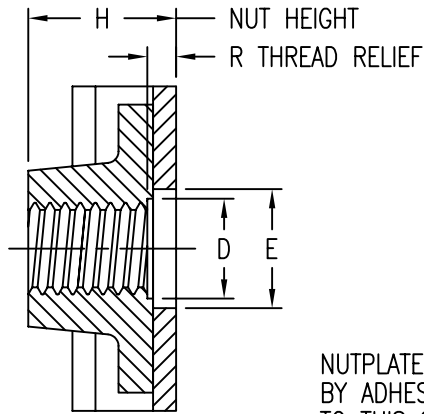
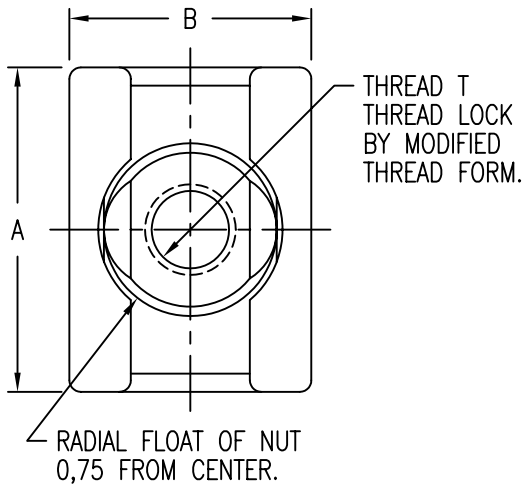
PROPRIETARY PARTS SHOWN IN THIS DRAWING ARE THE SUBJECT OF ISSUED UNITED STATES AND FOREIGN PATENTS AND PATENTS PENDING. UNAUTHORIZED REPRODUCTION AND/OR DISTRIBUTION OF THIS DRAWING IS SPECIFICALLY PROHIBITED.



CARSON CITY NEVADA 89706

CAD CB1509-1		APPROVALS	DATE
ANGLES	±1°	DRAWN DAC	18OCT04
.XX	±.03	CHECKED <i>[Signature]</i>	18OCT04
.XXX	±.010	RELEASED CGH	18OCT04
.XXXX	±.001	REVISED DAC	18OCT04

TITLE			
NUTPLATE, COMPOSITE, ADHESIVE BONDED			
SIZE	CAGE CODE	DWG. NO.	REV.
A	66530	CB1509	1
SCALE	2/1 18OCT04		SHEET 1 OF 2



NUTPLATE ATTACHED  
BY ADHESIVE APPLIED  
TO THIS SURFACE.

DISPOSABLE ELASTIC  
FIXTURE HOLDS NUTPLATE  
WHILE ADHESIVE CURES.

THREAD AND DIMENSION DATA

CODE	THREAD SIZE T	A MAX	B MAX	D MIN	E MIN	H MAX	R MIN
5M	M5 X 0,8 4H5H	19,1	14,8	5,1	6,4	9,3	1,5
6M	M6 X 1,0 4H5H	21,6	16,2	6,1	7,4	10,2	1,5

BASEPLATE MATERIAL DATA

CODE	MATERIAL	FINISH
V	POLYETHERIMIDE/GLASS	ABRASIVE CLEAN

NUT MATERIAL DATA

CODE	MATERIAL
V	POLYETHERIMIDE/GLASS

EXAMPLE PART NUMBER

CB1509 V 6M

THREAD SIZE - M6 X 1,0 4H5H  
NUT AND BASEPLATE MATERIAL - POLYETHERIMIDE/GLASS  
BASIC PART NUMBER

UNLESS OTHERWISE SPECIFIED, ALL DIMENSIONS ARE IN MILLIMETERS AND TOLERANCES ARE AS SHOWN BELOW. DIMENSIONAL TOLERANCES AND SYMBOLS PER ANSI Y14.5M-1982.

PROPRIETARY PARTS SHOWN IN THIS DRAWING ARE THE SUBJECT OF ISSUED UNITED STATES AND FOREIGN PATENTS AND PATENTS PENDING. UNAUTHORIZED REPRODUCTION AND/OR DISTRIBUTION OF THIS DRAWING IS SPECIFICALLY PROHIBITED.

**GLICK BOND**

CARSON CITY  
NEVADA 89706

CAD CB1509-2  
METRIC DIMENSIONS

APPROVALS	DATE
DRAWN <i>DAC</i>	18OCT04
CHECKED <i>DAC</i>	18OCT04
RELEASED <i>CGH</i>	18OCT04
REVISED <i>DAC</i>	18OCT04

TITLE			
NUTPLATE, COMPOSITE, ADHESIVE BONDED			
SIZE	CAGE CODE	DWG. NO.	REV.
A	66530	CB1509 (METRIC)	1
SCALE	2/1		18OCT04
			SHEET 2 OF 2

ANGLES	±1°
.X	±0,8
.XX	±0,25